
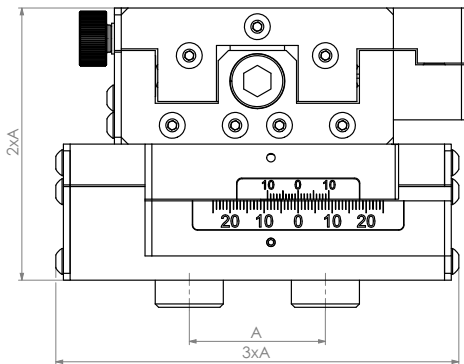


## Roller slide


with removable spindle and locking clamp

Nr.	A(AF)	shift	max. load	 g
82172-E	25	+/- 13,5	50kg	230
82173-E	40	+/- 22	150kg	900
82398-E	50	+/- 27	250kg	1.750



## Cross roller slide

with removable spindle and locking clamp

Nr.	A(AF)	shift	max. load	 g
82462-E	25	+/- 13,5	50kg	560
82463-E	40	+/- 22	150kg	2.000
82399-E	50	+/-27,5	250kg	4.000

