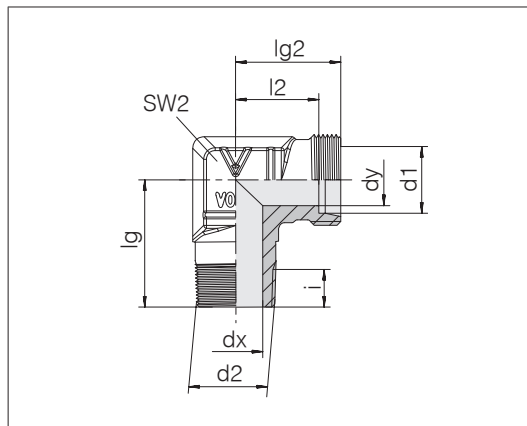


Male stud elbows

Male thread: BSPT thread, tapered
 Threaded stud: DIN 3852-2 Form C
 Sealing type: Tapered thread
 Sealing material: e.g. PTFE sealing tape

Tube coupling: 24° in acc. with ISO 8434-1



Series	d2	Pressure	dx	dy	lg	lg2	l2	SW2	i	kg/100 ca.	Order-No.	Designation	
S	6	R 1/4	PB 630	4	4	26	23	16	14	9.3	5.4	0716502000	24-SDE-S6-R1/4T-P ¹⁾
S	8	R 1/4	PB 630	5	5	27	24	17	17	6.2	7.0	0716552000	24-SDE-S8-R1/4T-P ¹⁾
S	10	R 1/4	PB 630	5	7	27	25	17.5	19	6.2	9.3	0716612000	24-SDE-S10-R1/4T-P ¹⁾
S	10	R 3/8	PB 630	7	7	28	25	17.5	19	9.3	10.2	0716602000	24-SDE-S10-R3/8T-P ¹⁾
S	10	R 1/2	PB 630	10	7	34	27	19.5	19	14	11.5	0716622000	24-SDE-S10-R1/2T ¹⁾
S	12	R 3/8	PB 630	8	8	28	29	21.5	22	9.3	12.7	0716652000	24-SDE-S12-R3/8T-P ¹⁾
S	12	R 1/2	PB 630	11	8	34	29	21.5	19	10.4	10.3	0716672000	24-SDE-S12-R1/2T ¹⁾
S	14	R 1/4	PB 630	7	10	30	30	22	19	9.3	9.3	0716732000	24-SDE-S14-R1/4T ¹⁾
S	14	R 3/8	PB 630	8	10	30	30	22	19	9.3	9.7	0716712000	24-SDE-S14-R3/8T ¹⁾
S	14	R 1/2	PB 630	10	10	32	30	22	19	10.4	10.5	0716702000	24-SDE-S14-R1/2T ¹⁾
S	16	R 1/2	PB 400	12	12	32	33	24.5	24	14	13.9	0716752000	24-SDE-S16-R1/2T ¹⁾
S	16	R 3/4	PB 400	16	12	42	33	24.5	27	12.4	18.9	0716772000	24-SDE-S16-R3/4T ¹⁾
S	20	R 1/2	PB 400	12	16	40	37	26.5	27	10.4	21.6	0716812000	24-SDE-S20-R1/2T ¹⁾
S	20	R 3/4	PB 400	16	16	42	37	26.5	27	12.4	21.7	0716842000	24-SDE-S20-R3/4T ¹⁾

¹⁾ Standard size

Operating pressure PB 630 only
 applies if holes with
 female conical threads are available.

