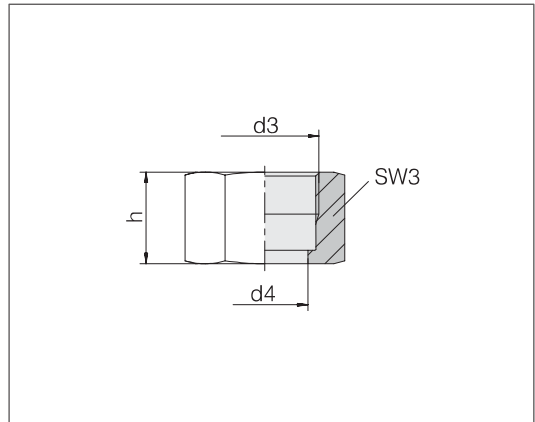


24/37° union nuts



Series	Tube OD	d3	Pressure	d4	SW3	h	kg/100 ca.	Order-No.	Designation
L	6	M 12 x 1.5	PN 500	7.8	14	17	1.2	0041402100	24-24/37N-L6
L	8	M 14 x 1.5	PN 500	9.5	17	18	1.9	0041412100	24-24/37N-L8
L	10	M 16 x 1.5	PN 500	11.7	19	19.5	2.4	0041422100	24-24/37N-L10
L	12	M 18 x 1.5	PN 400	13.8	22	20.5	3.5	0041432100	24-24/37N-L12
L	15	M 22 x 1.5	PN 630	17.7	27	23	5.7	0041442100	24-24/37N-L15-S14
L	18	M 26 x 1.5	PN 400	21.2	32	23	7.9	0041452100	24-24/37N-L18
L	22	M 30 x 2	PN 400	24.4	36	27.5	11.5	0041462100	24-24/37N-L22-S20
L	28	M 36 x 2	PN 250	30.4	41	27.5	12.5	0041472100	24-24/37N-L28
L	35	M 45 x 2	PN 250	38.3	50	30	17.9	0041482100	24-24/37N-L35
L	42	M 52 x 2	PN 250	45.3	60	34	32.4	0041492100	24-24/37N-L42
S	6	M 14 x 1.5	PN 630	7.8	17	18	2.0	0041502100	24-24/37N-S6
S	8	M 16 x 1.5	PN 630	9.5	19	19	2.4	0041512100	24-24/37N-S8
S	10	M 18 x 1.5	PN 630	11.7	22	20.5	3.6	0041522100	24-24/37N-S10
S	12	M 20 x 1.5	PN 630	13.8	24	21	4.1	0041532100	24-24/37N-S12
S	14	M 22 x 1.5	PN 630	17.7	27	23	5.7	0041442100	24-24/37N-L15-S14
S	16	M 24 x 1.5	PN 630	18.7	30	26.5	8.4	0041542100	24-24/37N-S16
S	20	M 30 x 2	PN 400	24.4	36	27.5	11.5	0041462100	24-24/37N-L22-S20
S	25	M 36 x 2	PN 400	28.7	46	30.5	23.1	0041552100	24-24/37N-S25
S	30	M 42 x 2	PN 400	34.2	50	32	24.1	0041562100	24-24/37N-S30
S	38	M 52 x 2	PN 400	42.3	60	38	37.0	0041572100	24-24/37N-S38