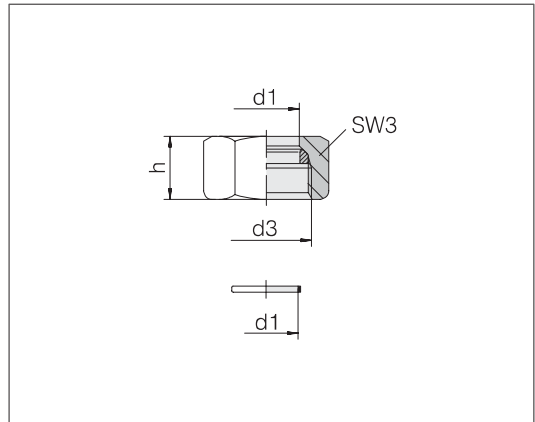


VOSSForm^{SQR}

Steel / stainless-steel set comprising

- SQR-function nuts
- moulded seals

Standard moulded-seal material is FPM/FKM



Series	Tube OD	d3	Pressure	SW3	h	kg/100 ca.	Order-No.	Designation steel	Order-No.	Designation stainless steel
L	6	M 12 x 1.5	PN 500	14	14.5	1.1	0015502167	24-SQRNMS-L6	0015506067	24-SQRNMS-L6-SST
L	8	M 14 x 1.5	PN 500	17	14.5	1.7	0015512167	24-SQRNMS-L8	0015516067	24-SQRNMS-L8-SST
L	10	M 16 x 1.5	PN 500	19	15.5	2.0	0015522167	24-SQRNMS-L10	0015526067	24-SQRNMS-L10-SST
L	12	M 18 x 1.5	PN 400	22	15.5	2.8	0015532167	24-SQRNMS-L12	0015536067	24-SQRNMS-L12-SST
L	15	M 22 x 1.5	PN 400	27	17	4.7	0015542167	24-SQRNMS-L15	0015546067	24-SQRNMS-L15-SST
L	18	M 26 x 1.5	PN 400	32	18	6.9	0015552167	24-SQRNMS-L18	0015556067	24-SQRNMS-L18-SST
L	22	M 30 x 2	PN 250	36	20	8.9	0015562167	24-SQRNMS-L22	0015566067	24-SQRNMS-L22-SST
L	28	M 36 x 2	PN 250	41	21	9.4	0015572167	24-SQRNMS-L28	0015576067	24-SQRNMS-L28-SST
L	35	M 45 x 2	PN 250	50	24	15.0	0015582167	24-SQRNMS-L35	0015586067	24-SQRNMS-L35-SST
L	42	M 52 x 2	PN 250	60	24	23.0	0015592167	24-SQRNMS-L42	0015596067	24-SQRNMS-L42-SST
S	6	M 14 x 1.5	PN 800	17	16.5	2.0	0015602167	24-SQRNMS-S6	0015606067	24-SQRNMS-S6-SST
S	8	M 16 x 1.5	PN 800	19	16.5	2.3	0015612167	24-SQRNMS-S8	0015616067	24-SQRNMS-S8-SST
S	10	M 18 x 1.5	PN 800	22	17.5	3.5	0015622167	24-SQRNMS-S10	0015626067	24-SQRNMS-S10-SST
S	12	M 20 x 1.5	PN 630	24	17.5	3.9	0015632167	24-SQRNMS-S12	0015636067	24-SQRNMS-S12-SST
S	14	M 22 x 1.5	PN 630	27	20.5	5.8	0015642167	24-SQRNMS-S14	0015646067	24-SQRNMS-S14-SST
S	16	M 24 x 1.5	PN 630	30	20.5	7.1	0015652167	24-SQRNMS-S16	0015656067	24-SQRNMS-S16-SST
S	20	M 30 x 2	PN 420	36	24	11.3	0015662167	24-SQRNMS-S20	0015666067	24-SQRNMS-S20-SST
S	25	M 36 x 2	PN 420	46	27	21.2	0015672167	24-SQRNMS-S25	0015676067	24-SQRNMS-S25-SST
S	30	M 42 x 2	PN 420	50	29	23.3	0015682167	24-SQRNMS-S30	0015686067	24-SQRNMS-S30-SST
S	38	M 52 x 2	PN 420	60	32.5	34.4	0015692167	24-SQRNMS-S38	0015696067	24-SQRNMS-S38-SST

To reduce the assembly forces,
the union nuts are
coated with wax lubricant.