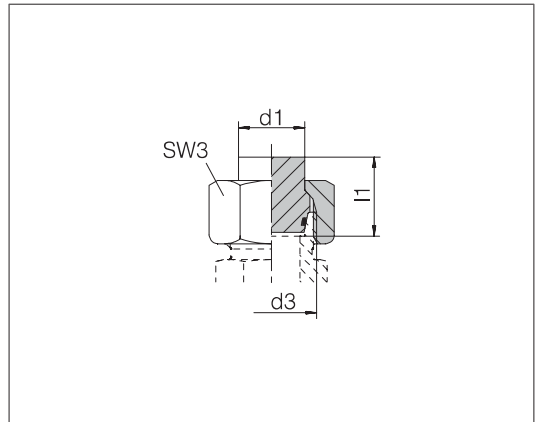


Blanking plugs

With taper and O-ring
fit in bore type W DIN 3861 / ISO 8434-1

For blind connections of tube couplings

Standard O-ring material is FPM/FKM



Series	d3	Pressure	l1	SW3	kg/100 ca.	Order-No.	Designation
Tube OD	d1						
L 6	M 12 x 1.5	PN 500	18.5	14	1.6	1193042058	24-PLOC-L6
L 8	M 14 x 1.5	PN 500	19	17	2.5	1193052058	24-PLOC-L8
L 10	M 16 x 1.5	PN 500	20.5	19	3.4	1193062058	24-PLOC-L10
L 12	M 18 x 1.5	PN 400	21	22	4.8	1193072058	24-PLOC-L12
L 15	M 22 x 1.5	PN 400	21	27	7.5	1193082058	24-PLOC-L15
L 18	M 26 x 1.5	PN 400	23.5	32	11.4	1193092058	24-PLOC-L18
L 22	M 30 x 2	PN 250	26	36	16.3	1193102058	24-PLOC-L22
L 28	M 36 x 2	PN 250	26.5	41	21.7	1193112058	24-PLOC-L28
L 35	M 45 x 2	PN 250	32	50	37.4	1193122058	24-PLOC-L35
L 42	M 52 x 2	PN 250	32.5	60	55.9	1193132058	24-PLOC-L42
S 6	M 14 x 1.5	PN 800	18.5	17	2.4	1193142058	24-PLOC-S6
S 8	M 16 x 1.5	PN 800	19	19	3.1	1193152058	24-PLOC-S8
S 10	M 18 x 1.5	PN 800	21	22	4.7	1193162058	24-PLOC-S10
S 12	M 20 x 1.5	PN 630	21.5	24	5.7	1193172058	24-PLOC-S12
S 14	M 22 x 1.5	PN 630	24	27	8.5	1193182058	24-PLOC-S14
S 16	M 24 x 1.5	PN 630	25	30	10.7	1193192058	24-PLOC-S16
S 20	M 30 x 2	PN 420	30.5	36	18.3	1193202058	24-PLOC-S20
S 25	M 36 x 2	PN 420	32.5	46	33.0	1193212058	24-PLOC-S25
S 30	M 42 x 2	PN 420	35.5	50	39.8	1193222058	24-PLOC-S30
S 38	M 52 x 2	PN 420	40.5	60	62.8	1193232058	24-PLOC-S38

Example for comp. :
VKAM06LVIT