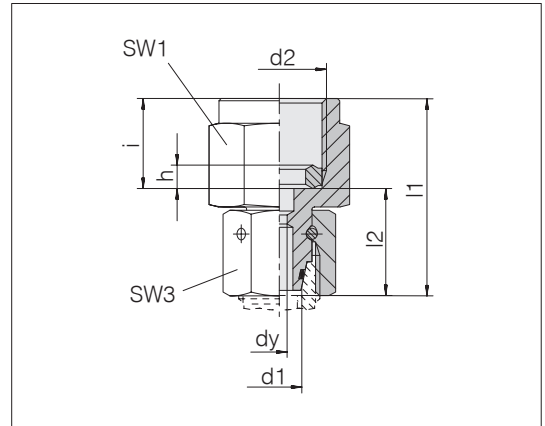


Gauge connectors

Female thread: BSPP thread, cylindrical
Sealing type: Seal-edge ring (Form B)

Plug-in version with taper and O-ring
fits into bore form W DIN 3861/ISO 8434-1

Standard material of O-rings is FKM



Series Tube OD d1	d2	Pressure	dy	l1	l2	SW1	SW3	h	i	kg/100 ca.	Order-No.	Designation
L 6	G 1/4	PN 315	2.5	37.5	23	19	14	4.6	14.5	4.8	1142002058	24-SWOPGS-L6-IG1/4B
L 8	G 1/4	PN 315	2.5	37.5	23	19	17	4.6	14.5	5.5	1142052058	24-SWOPGS-L8-IG1/4B
L 10	G 1/4	PN 315	2.5	36	21.5	19	19	4.6	14.5	5.8	1142102058	24-SWOPGS-L10-IG1/4B
L 12	G 1/4	PN 315	2.5	36	21.5	19	22	4.6	14.5	6.9	1142152058	24-SWOPGS-L12-IG1/4B
L 12	G 1/2	PN 315	3.5	42	22	27	22	5.2	20	11.4	1142672058	24-SWOPGS-L12-IG1/2B
L 15	G 1/2	PN 315	3.5	44.5	24.5	27	27	5.2	20	14.2	1142202058	24-SWOPGS-L15-IG1/2B
S 6	G 1/4	PN 630	2.5	35.5	21	19	17	4.6	14.5	5.4	1142522058	24-SWOPGS-S6-IG1/4B
S 6	G 1/2	PN 630	2.5	44.5	24.5	27	17	5.2	20	10.3	1142502058	24-SWOPGS-S6-IG1/2B
S 8	G 1/4	PN 630	2.5	35.5	21	19	19	4.6	14.5	5.7	1142572058	24-SWOPGS-S8-IG1/4B
S 8	G 1/2	PN 630	4	44.5	24.5	27	19	5.2	20	11.7	1142552058	24-SWOPGS-S8-IG1/2B
S 10	G 1/4	PN 630	2.5	39	24.5	19	22	4.6	14.5	7.8	1142622058	24-SWOPGS-S10-IG1/4B
S 10	G 1/2	PN 630	3.5	43.5	23.5	27	22	5.2	20	11.3	1142602058	24-SWOPGS-S10-IG1/2B
S 12	G 1/4	PN 630	2.5	39	24.5	19	24	4.6	14.5	8.2	1142662058	24-SWOPGS-S12-IG1/4B
S 12	G 1/2	PN 630	3.5	45	25	27	24	5.2	20	12.2	1142652058	24-SWOPGS-S12-IG1/2B

Example for comp. :
MAVE06LRVIT