

Male stud connectors

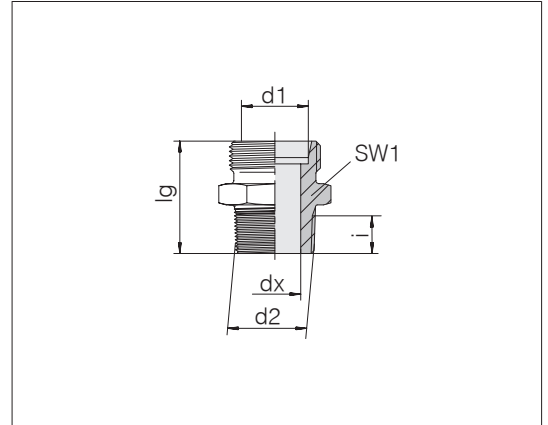
Male thread: BSPT thread, tapered

Threaded stud: DIN 3852-2 Form C

Sealing type: Tapered thread

Sealing material: e.g. PTFE sealing tape

Tube coupling: 24° in acc. with ISO 8434-1



Series Tube OD d1	d2	Pressure	dx	lg	SW1	i	kg/100 ca.	Order-No.	Designation	
S 6	R 1/4	PB 630	4	30	17	9.3	3.0	0704502000	24-SDS-S6-R1/4T	¹⁾
S 8	R 1/4	PB 630	5	32	17	9.3	3.4	0704552000	24-SDS-S8-R1/4T	¹⁾
S 10	R 3/8	PB 630	7	32	19	9.3	4.4	0704602000	24-SDS-S10-R3/8T	¹⁾
S 12	R 1/4	PB 630	6	34	22	9.3	5.4	0704662000	24-SDS-S12-R1/4T	
S 12	R 3/8	PB 630	8	34	22	9.3	5.8	0704652000	24-SDS-S12-R3/8T	¹⁾
S 14	R 3/8	PB 630	8	36	24	9.3	6.8	0704712000	24-SDS-S14-R3/8T	
S 14	R 1/2	PB 630	10	38	27	10.4	8.9	0704702000	24-SDS-S14-R1/2T	¹⁾
S 16	R 3/8	PB 400	9	36	27	9.3	7.9	0704762000	24-SDS-S16-R3/8T	
S 16	R 1/2	PB 400	12	38	27	10.4	8.5	0704752000	24-SDS-S16-R1/2T	¹⁾
S 20	R 1/2	PB 400	14	42	32	10.4	12.2	0704812000	24-SDS-S20-R1/2T	
S 20	R 3/4	PB 400	16	44	32	12.4	14.1	0704802000	24-SDS-S20-R3/4T	¹⁾

¹⁾ Standard size

Operating pressure PB 630 only
applies if holes with
female conical threads are available.