

Male stud connectors

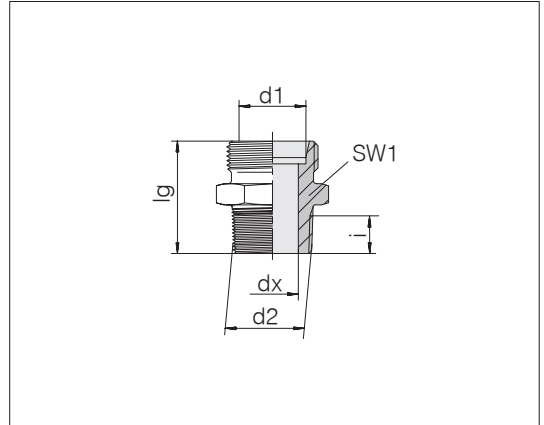
Male thread: NPT thread, tapered

Threaded stud: ASME B1.20.1

Sealing type: Tapered thread

Sealing material: e.g. PTFE sealing tape

Tube coupling: 24° in acc. with ISO 8434-1



Series	d2	Pressure	dx	lg	SW1	i	Nm -10 %	kg/100 ca.	Order-No.	Designation
Tube OD	d1									
LL 4	1/8 NPT	PN 100	3	21.9	11	6.7	15	0.9	0705002000	24-SDS-LL4-N1/8T ¹⁾
LL 6	1/8 NPT	PN 100	4.5	21.9	11	6.7	15	0.9	0705102000	24-SDS-LL6-N1/8T ¹⁾
LL 8	1/8 NPT	PN 100	6	23.9	12	6.7	15	1.0	0705152000	24-SDS-LL8-N1/8T ¹⁾
L 6	1/8 NPT	PN 315	4	23.9	12	6.7	15	1.2	0706002000	24-SDS-L6-N1/8T ¹⁾
L 6	1/4 NPT	PN 315	4	30	17	10.2	35	2.6	0706022000	24-SDS-L6-N1/4T
L 8	1/8 NPT	PN 315	5	24.9	14	6.7	15	1.5	0706062000	24-SDS-L8-N1/8T
L 8	1/4 NPT	PN 315	6	30.1	17	10.2	35	2.5	0706052000	24-SDS-L8-N1/4T ¹⁾
L 8	3/8 NPT	PN 315	6	31.2	19	10.4	55	3.9	0706072000	24-SDS-L8-N3/8T
L 8	1/2 NPT	PN 315	6	35.8	24	13.6	110	7.1	0706082000	24-SDS-L8-N1/2T
L 10	1/8 NPT	PN 315	4	27	17	6.7	15	2.3	0706112000	24-SDS-L10-N1/8T
L 10	1/4 NPT	PN 315	7	31.1	17	10.2	35	2.5	0706102000	24-SDS-L10-N1/4T ¹⁾
L 10	3/8 NPT	PN 315	8	32.2	19	10.4	55	3.7	0706122000	24-SDS-L10-N3/8T
L 10	1/2 NPT	PN 315	8	37.8	24	13.6	110	7.2	0706132000	24-SDS-L10-N1/2T
L 12	1/4 NPT	PN 315	7	32	19	10.2	35	3.2	0706162000	24-SDS-L12-N1/4T
L 12	3/8 NPT	PN 315	9	32.2	19	10.4	55	3.6	0706152000	24-SDS-L12-N3/8T ¹⁾
L 12	1/2 NPT	PN 315	10	36.8	24	13.6	110	6.4	0706172000	24-SDS-L12-N1/2T
L 15	3/8 NPT	PN 315	9	33.2	24	10.4	55	5.2	0706212000	24-SDS-L15-N3/8T
L 15	1/2 NPT	PN 315	11	37.8	24	13.6	110	6.8	0706202000	24-SDS-L15-N1/2T ¹⁾
L 18	3/8 NPT	PN 315	9	34.2	27	10.4	55	8.0	0706262000	24-SDS-L18-N3/8T
L 18	1/2 NPT	PN 315	14	38.8	27	13.6	110	7.2	0706252000	24-SDS-L18-N1/2T ¹⁾
L 18	3/4 NPT	PN 160	14	39.1	30	13.9	175	9.1	0706272000	24-SDS-L18-N3/4T
L 22	1/2 NPT	PN 160	14	40.8	32	13.6	110	9.9	0706312000	24-SDS-L22-N1/2T
L 22	3/4 NPT	PN 160	18	41.1	32	13.9	175	10.1	0706302000	24-SDS-L22-N3/4T ¹⁾
L 28	1 NPT	PN 160	23	47	41	17.3	265	17.2	0706352000	24-SDS-L28-N1T ¹⁾
L 35	1 1/4 NPT	PN 160	30	50.6	46	18	315	25.6	0706402000	24-SDS-L35-N1 1/4T ¹⁾
L 42	1 1/2 NPT	PN 160	36	53	55	18.4	385	35.2	0706452000	24-SDS-L42-N1 1/2T ¹⁾

¹⁾ Standard size

Threaded stud NPT in acc. with ASME are approved for use for gas supply in acc. with DIN 3387-1.

Example for comp.: GE06L1/8NPTX

Continued on following page

