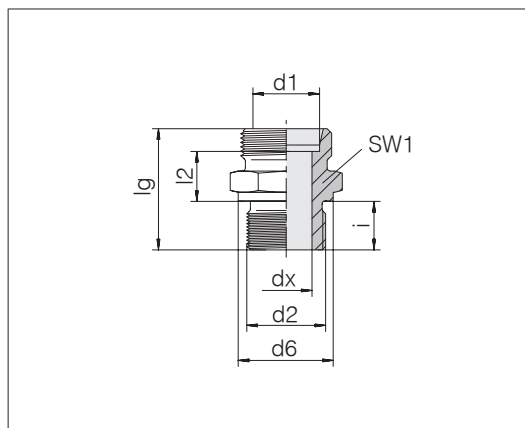


Male stud connectors

Male thread: Metric fine thread, cylindrical
 Threaded stud: DIN 3852-1/ISO 9974-3 Form B
 Sealing type: Sealing edge

Tube coupling: 24° in acc. with ISO 8434-1



Series	d2	Pressure	d6	dx	lg	l2	SW1	i	Nm	kg/100	Order-No.	Designation
Tube OD									-10 %	ca.		
d1												
L 6	M 8 x 1	PN 100	12	3	23.5	8.5	12	8	14	1.1	0709012000	24-SDS-L6-M8B
L 6	M 10 x 1	PN 400	14	4	23.5	8.5	14	8	25	1.4	0709002000	24-SDS-L6-M10B ¹⁾
L 6	M 12 x 1.5	PN 400	17	4	27	10	17	10	35	2.2	709022000	24-SDS-L6-M12B-TL10
L 6	M 14 x 1.5	PN 400	19	4	29	11	19	11	55	3.2	0709032000	24-SDS-L6-M14B
L 6	M 16 x 1.5	PN 400	21	4	30.5	11.5	22	12	80	3.6	0709042000	24-SDS-L6-M16B
L 8	M 10 x 1	PN 400	14	4	24.5	9.5	17	8	25	1.9	0709062000	24-SDS-L8-M10B
L 8	M 12 x 1.5	PN 400	17	6	29	10	17	12	35	2.2	0709052000	24-SDS-L8-M12B ¹⁾
L 8	M 14 x 1.5	PN 400	19	6	29	10	19	12	55	2.9	0709072000	24-SDS-L8-M14B
L 8	M 16 x 1.5	PN 400	21	6	30.5	11.5	22	12	80	4.2	0709082000	24-SDS-L8-M16B
L 8	M 18 x 1.5	PN 400	23	6	30.5	11.5	24	12	100	5.2	0709092000	24-SDS-L8-M18B
L 8	M 22 x 1.5	PN 400	27	6	31	10	27	14	170	6.9	1709132000	24-SDS-L8-M22B
L 10	M 10 x 1	PN 400	14	4	25.5	10.5	17	8	25	2.1	0709142000	24-SDS-L10-M10B
L 10	M 12 x 1.5	PN 400	17	6	30	11	17	12	35	2.5	0709112000	24-SDS-L10-M12B
L 10	M 14 x 1.5	PN 400	19	7	30	11	19	12	55	3.0	0709102000	24-SDS-L10-M14B ¹⁾
L 10	M 16 x 1.5	PN 400	21	7	31.5	12.5	22	12	80	4.2	0709122000	24-SDS-L10-M16B
L 10	M 18 x 1.5	PN 400	23	7	31.5	12.5	24	12	100	5.2	0709132000	24-SDS-L10-M18B
L 10	M 22 x 1.5	PN 400	27	8	35	14	27	14	170	8.1	1709142000	24-SDS-L10-M22B
L 12	M 12 x 1.5	PN 400	17	6	31.5	12.5	19	12	35	3.0	1709162000	24-SDS-L12-M12B
L 12	M 14 x 1.5	PN 400	19	7	31.5	12.5	19	12	55	3.4	0709162000	24-SDS-L12-M14B
L 12	M 16 x 1.5	PN 400	21	9	31.5	12.5	22	12	80	4.0	0709152000	24-SDS-L12-M16B ¹⁾
L 12	M 18 x 1.5	PN 400	23	9	31.5	12.5	24	12	100	4.5	0709172000	24-SDS-L12-M18B
L 12	M 22 x 1.5	PN 400	27	10	35	14	27	14	170	7.8	0709182000	24-SDS-L12-M22B
L 15	M 16 x 1.5	PN 400	21	9	32	13	24	12	80	4.8	0709212000	24-SDS-L15-M16B
L 15	M 18 x 1.5	PN 400	23	11	32.5	13.5	24	12	100	5.1	0709202000	24-SDS-L15-M18B ¹⁾
L 15	M 22 x 1.5	PN 400	27	12	36	15	27	14	170	7.8	0709222000	24-SDS-L15-M22B
L 15	M 26 x 1.5	PN 200	31	12	38	15	32	16	230	11.6	0785622000	24-SDS-L15-M26B
L 15	M 33 x 2	PN 200	39	12	41	16	41	18	400	16.5	0709242000	24-SDS-L15-M33B

¹⁾ Standard size

Example for comp. :
 GE06LM8x1X
 ISO 8434-1-SDS-L6xM8x1-B-St

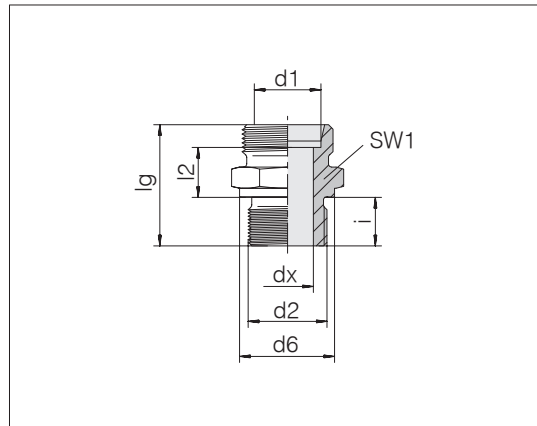
Continued on following page



Male stud connectors

Male thread: Metric fine thread, cylindrical
 Threaded stud: DIN 3852-1/ISO 9974-3 Form B
 Sealing type: Sealing edge

Tube coupling: 24° in acc. with ISO 8434-1



3

Series	d2	Pressure	d6	dx	lg	l2	SW1	i	Nm -10 %	kg/100 ca.	Order-No.	Designation	
L	18	M 16 x 1.5	PN 400	21	9	33	13.5	27	12	80	6.2	1709112000	24-SDS-L18-M16B
L	18	M 18 x 1.5	PN 400	23	11	33.5	14	27	12	100	6.6	0709262000	24-SDS-L18-M18B
L	18	M 22 x 1.5	PN 400	27	14	36	14.5	27	14	170	7.7	0709252000	24-SDS-L18-M22B ¹⁾
L	18	M 26 x 1.5	PN 200	31	15	38	14.5	32	16	230	10.8	0709272000	24-SDS-L18-M26B
L	18	M 33 x 2	PN 200	39	14	41	15.5	41	18	400	20.9	0709282000	24-SDS-L18-M33B
L	22	M 18 x 1.5	PN 200	23	11	36	16.5	32	12	100	8.7	0709332000	24-SDS-L22-M18B
L	22	M 22 x 1.5	PN 200	27	14	38	16.5	32	14	170	9.3	0709312000	24-SDS-L22-M22B
L	22	M 26 x 1.5	PN 200	31	18	40	16.5	32	16	230	10.1	0709302000	24-SDS-L22-M26B ¹⁾
L	22	M 33 x 2	PN 200	39	19	43	17.5	41	18	400	18.5	0709322000	24-SDS-L22-M33B
L	22	M 42 x 2	PN 200	49	18	51	23.5	50	20	700	43.0	1709122000	24-SDS-L22-M42B
L	28	M 26 x 1.5	PN 200	31	18	43	19.5	41	16	230	16.4	0709362000	24-SDS-L28-M26B
L	28	M 33 x 2	PN 200	39	23	43	17.5	41	18	400	16.7	0709352000	24-SDS-L28-M33B ¹⁾
L	35	M 26 x 1.5	PN 200	31	18	44	17.5	46	16	230	20.5	0709412000	24-SDS-L35-M26B
L	35	M 42 x 2	PN 200	49	30	48	17.5	50	20	700	27.8	0709402000	24-SDS-L35-M42B ¹⁾
L	42	M 42 x 2	PN 200	49	30	50	19	55	20	700	33.4	0709462000	24-SDS-L42-M42B
L	42	M 48 x 2	PN 200	55	36	52	19	55	22	900	35.4	0709452000	24-SDS-L42-M48B ¹⁾

¹⁾ Standard size

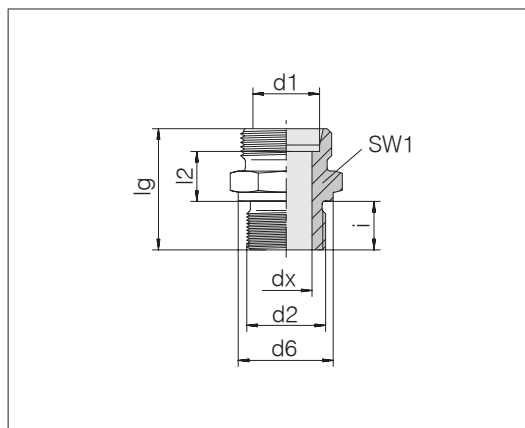
Continued on following page



Male stud connectors

Male thread: Metric fine thread, cylindrical
 Threaded stud: DIN 3852-1/ISO 9974-3 Form B
 Sealing type: Sealing edge

Tube coupling: 24° in acc. with ISO 8434-1



Series	d2	Pressure	d6	dx	lg	l2	SW1	i	Nm -10 %	kg/100 ca.	Order-No.	Designation	
S	6	M 12 x 1.5	PN 630	17	4	32	13	17	12	60	3.1	0709502000	24-SDS-S6-M12B ¹⁾
S	8	M 12 x 1.5	PN 630	17	4	34	15	17	12	60	3.6	0709562000	24-SDS-S8-M12B
S	8	M 14 x 1.5	PN 630	19	5	34	15	19	12	90	4.3	0709552000	24-SDS-S8-M14B ¹⁾
S	8	M 18 x 1.5	PN 630	23	5	36.5	17.5	24	12	190	6.9	0709592000	24-SDS-S8-M18B
S	8	M 22 x 1.5	PN 630	27	5	39	18	27	14	300	11.0	0709572000	24-SDS-S8-M22B
S	10	M 14 x 1.5	PN 630	19	5	34	14.5	19	12	90	4.4	0709612000	24-SDS-S10-M14B
S	10	M 16 x 1.5	PN 630	21	7	34.5	15	22	12	120	5.4	0709602000	24-SDS-S10-M16B ¹⁾
S	10	M 18 x 1.5	PN 630	23	7	36.5	17	24	12	190	7.1	0709622000	24-SDS-S10-M18B
S	10	M 22 x 1.5	PN 630	27	7	39	17.5	27	14	300	11.0	0709632000	24-SDS-S10-M22B
S	12	M 14 x 1.5	PN 630	19	5	36	16.5	22	12	90	5.9	1709102000	24-SDS-S12-M14B
S	12	M 16 x 1.5	PN 630	21	8	36.5	17	22	12	120	6.0	0709662000	24-SDS-S12-M16B
S	12	M 18 x 1.5	PN 630	23	8	36.5	17	24	12	190	7.1	0709652000	24-SDS-S12-M18B ¹⁾
S	12	M 22 x 1.5	PN 630	27	8	39	17.5	27	14	300	10.3	0709682000	24-SDS-S12-M22B
S	12	M 27 x 2	PN 630	32	8	43	19.5	32	16	420	13.6	0785532000	24-SDS-S12-M27B
S	14	M 18 x 1.5	PN 630	23	8	39	19	24	12	190	7.9	0709712000	24-SDS-S14-M18B
S	14	M 20 x 1.5	PN 630	25	10	41	19	27	14	280	9.2	0709702000	24-SDS-S14-M20B ¹⁾
S	16	M 18 x 1.5	PN 630	23	8	38.5	18	24	12	190	7.8	0709792000	24-SDS-S16-M18B
S	16	M 22 x 1.5	PN 630	27	12	41	18.5	27	14	300	9.7	0709752000	24-SDS-S16-M22B ¹⁾
S	16	M 27 x 2	PN 400	32	12	45	20.5	32	16	420	15.8	0709772000	24-SDS-S16-M27B
S	20	M 18 x 1.5	PN 400	23	8	40.5	18	32	12	190	11.8	0709842000	24-SDS-S20-M18B
S	20	M 22 x 1.5	PN 400	27	12	45	20.5	32	14	300	14.2	0709812000	24-SDS-S20-M22B
S	20	M 27 x 2	PN 400	32	16	47	20.5	32	16	420	15.3	0709802000	24-SDS-S20-M27B ¹⁾
S	20	M 33 x 2	PN 400	39	16	51	22.5	41	18	600	25.0	0709822000	24-SDS-S20-M33B
S	25	M 27 x 2	PN 400	32	16	51	23	41	16	420	24.1	0709862000	24-SDS-S25-M27B
S	25	M 33 x 2	PN 400	39	20	53	23	41	18	600	26.6	0709852000	24-SDS-S25-M33B ¹⁾
S	30	M 33 x 2	PN 200	39	20	55	23.5	46	18	600	32.5	0709912000	24-SDS-S30-M33B
S	30	M 42 x 2	PN 200	49	25	57	23.5	50	20	700	42.8	0709902000	24-SDS-S30-M42B ¹⁾
S	38	M 48 x 2	PN 200	55	32	64	26	55	22	900	57.3	0709952000	24-SDS-S38-M48B ¹⁾

¹⁾ Standard size

