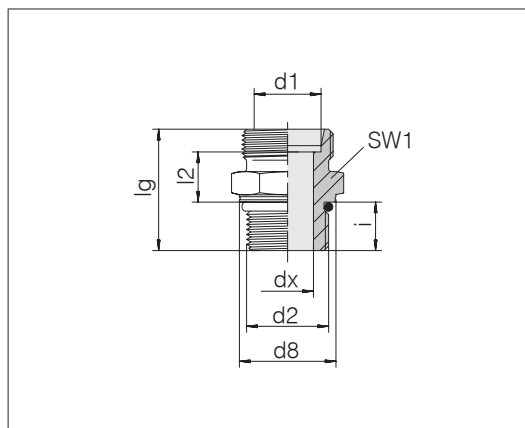


Male stud connectors

Male thread: Metric fine thread, cylindrical
 Threaded stud: ISO 6149-2/3
 Sealing type: O-Ring (Form F)
 Sealing material: Standard NBR

Tube coupling: 24° in acc. with ISO 8434-1



Series	d2	Pressure	d8	dx	lg	l2	SW1	i	Nm -10 %	kg/100 ca.	Order-No.	Designation
L 6	M 10 x 1	PN 500	13.8	4	25	9.5	14	8.5	15	1.5	0746002000	24-SDS-L6-M10F ¹⁾
L 6	M 14 x 1.5	PN 500	18.8	4	28	10	19	11	35	2.6	0746012000	24-SDS-L6-M14F
L 8	M 10 x 1	PN 500	13.8	4	25.5	10	17	8.5	15	2.1	0746092000	24-SDS-L8-M10F
L 8	M 12 x 1.5	PN 500	16.8	6	28	10	17	11	25	2.2	0746052000	24-SDS-L8-M12F ¹⁾
L 8	M 14 x 1.5	PN 500	18.8	6	28	10	19	11	35	3.1	0746072000	24-SDS-L8-M14F
L 8	M 18 x 1.5	PN 400	23.8	6	31	11.5	24	12.5	45	5.1	0746062000	24-SDS-L8-M18F
L 10	M 10 x 1	PN 500	13.8	4	26.5	11	17	8.5	15	2.3	0746082000	24-SDS-L10-M10F
L 10	M 12 x 1.5	PN 500	16.8	6	29	11	17	11	25	2.4	0746122000	24-SDS-L10-M12F
L 10	M 14 x 1.5	PN 500	18.8	7	29	11	19	11	35	2.9	0746102000	24-SDS-L10-M14F ¹⁾
L 10	M 16 x 1.5	PN 400	21.8	8	31	12.5	22	11.5	40	4.0	0746132000	24-SDS-L10-M16F
L 10	M 18 x 1.5	PN 400	23.8	8	32	12.5	24	12.5	45	5.2	0746142000	24-SDS-L10-M18F
L 10	M 22 x 1.5	PN 400	26.8	7	34	14	27	13	60	6.6	0746112000	24-SDS-L10-M22F
L 12	M 12 x 1.5	PN 400	16.8	6	30.5	12.5	19	11	25	3.0	0746162000	24-SDS-L12-M12F
L 12	M 14 x 1.5	PN 400	18.8	7	31	13	19	11	35	3.2	0746172000	24-SDS-L12-M14F
L 12	M 16 x 1.5	PN 400	21.8	9	31	12.5	22	11.5	40	4.0	0746152000	24-SDS-L12-M16F ¹⁾
L 12	M 18 x 1.5	PN 400	23.8	9	32	12.5	24	12.5	45	5.1	0746192000	24-SDS-L12-M18F
L 12	M 22 x 1.5	PN 400	26.8	10	34	14	27	13	60	7.6	0746182000	24-SDS-L12-M22F
L 15	M 14 x 1.5	PN 400	18.8	7	31.5	13.5	24	11	35	4.8	0746212000	24-SDS-L15-M14F
L 15	M 16 x 1.5	PN 400	21.8	9	32.5	14	22	11.5	40	5.4	0746242000	24-SDS-L15-M16F
L 15	M 18 x 1.5	PN 400	23.8	11	33	13.5	24	12.5	45	5.2	0746202000	24-SDS-L15-M18F ¹⁾
L 15	M 22 x 1.5	PN 400	26.8	12	35	15	27	13	60	7.7	0746222000	24-SDS-L15-M22F
L 18	M 18 x 1.5	PN 400	23.8	11	34.5	14.5	27	12.5	45	7.6	0746262000	24-SDS-L18-M18F
L 18	M 22 x 1.5	PN 400	26.8	14	35	14.5	27	13	60	7.5	0746252000	24-SDS-L18-M22F ¹⁾
L 22	M 22 x 1.5	PN 400	26.8	14	37	16.5	32	13	60	11.3	0746312000	24-SDS-L22-M22F
L 22	M 27 x 2	PN 250	31.8	18	40	16.5	32	16	100	10.5	0746302000	24-SDS-L22-M27F ¹⁾
L 22	M 33 x 2	PN 250	40.8	19	41	17.5	41	16	160	18.4	0746322000	24-SDS-L22-M33F
L 22	M 42 x 2	PN 250	49.8	19	42	18.5	50	16	210	25.7	0746332000	24-SDS-L22-M42F
L 28	M 27 x 2	PN 250	31.8	18	40	16.5	36	16	100	13.6	0746372000	24-SDS-L28-M27F
L 28	M 33 x 2	PN 250	40.8	23	41	17.5	41	16	160	16.4	0746352000	24-SDS-L28-M33F ¹⁾

¹⁾ Standard size

Example for comp. :
 GEO06LMOMD
 ISO 8434-1-SDS-L6xM10x1-F-ST

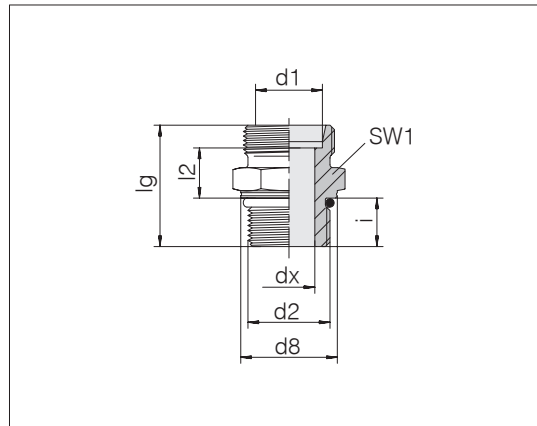
Continued on following page



Male stud connectors

Male thread: Metric fine thread, cylindrical
 Threaded stud: ISO 6149-2/3
 Sealing type: O-Ring (Form F)
 Sealing material: Standard NBR

Tube coupling: 24° in acc. with ISO 8434-1



3

Series	d2	Pressure	d8	dx	lg	l2	SW1	i	Nm -10 %	kg/100 ca.	Order-No.	Designation	
L	35	M 33 x 2	PN 250	40.8	23	44	17.5	46	16	160	25.9	0746422000	24-SDS-L35-M33F
L	35	M 42 x 2	PN 250	49.8	30	44	17.5	50	16	210	26.5	0746402000	24-SDS-L35-M42F ¹⁾
L	35	M 48 x 2	PN 250	54.8	30	47.5	19.5	55	17.5	260	36.1	0746432000	24-SDS-L35-M48F
L	42	M 42 x 2	PN 250	49.8	30	46	19	55	16	210	37.4	0746412000	24-SDS-L42-M42F
L	42	M 48 x 2	PN 250	54.8	36	47.5	19	55	17.5	260	33.0	0746452000	24-SDS-L42-M48F ¹⁾
S	6	M 12 x 1.5	PN 800	16.8	4	31	13	17	11	35	2.9	0746502000	24-SDS-S6-M12F ¹⁾
S	8	M 10 x 1	PN 800	13.8	3	29.5	13	17	9.5	15	3.2	0746572000	24-SDS-S8-M10F
S	8	M 12 x 1.5	PN 800	16.8	4	33	15	17	11	35	3.9	0746562000	24-SDS-S8-M12F
S	8	M 14 x 1.5	PN 800	18.8	5	33	15	19	11	40	4.1	0746552000	24-SDS-S8-M14F ¹⁾
S	10	M 16 x 1.5	PN 800	21.8	7	35	15	22	12.5	55	5.5	0746602000	24-SDS-S10-M16F ¹⁾
S	12	M 14 x 1.5	PN 630	18.8	5	35.5	17	22	11	40	5.9	0746672000	24-SDS-S12-M14F
S	12	M 16 x 1.5	PN 630	21.8	7	35.5	15.5	22	12.5	55	6.0	0746662000	24-SDS-S12-M16F
S	12	M 18 x 1.5	PN 630	23.8	8	38.5	17	24	14	70	7.5	0746652000	24-SDS-S12-M18F ¹⁾
S	12	M 22 x 1.5	PN 630	26.8	8	40	17.5	27	15	100	11.3	0746682000	24-SDS-S12-M22F
S	16	M 22 x 1.5	PN 630	26.8	12	42	18.5	27	15	100	9.9	0746752000	24-SDS-S16-M22F ¹⁾
S	16	M 27 x 2	PN 420	31.8	12	47.5	20.5	32	18.5	170	17.1	0746772000	24-SDS-S16-M27F
S	20	M 22 x 1.5	PN 630	26.8	12	46	20.5	32	15	100	19.0	0746812000	24-SDS-S20-M22F
S	20	M 27 x 2	PN 420	31.8	15	49.5	20.5	32	18.5	170	16.4	0746802000	24-SDS-S20-M27F ¹⁾
S	20	M 33 x 2	PN 420	40.8	16	51.5	22.5	41	18.5	310	27.4	0746832000	24-SDS-S20-M33F
S	25	M 27 x 2	PN 420	31.8	15	53	22.5	41	18.5	170	25.7	0746842000	24-SDS-S25-M27F
S	25	M 33 x 2	PN 420	40.8	20	53.5	23	41	18.5	310	26.9	0746852000	24-SDS-S25-M33F ¹⁾
S	30	M 33 x 2	PN 420	40.8	20	55.5	23.5	46	18.5	310	33.7	0746912000	24-SDS-S30-M33F
S	30	M 42 x 2	PN 420	49.8	25	56	23.5	50	19	330	49.3	0746902000	24-SDS-S30-M42F ¹⁾
S	38	M 48 x 2	PN 420	54.8	32	63.5	26	55	21.5	420	57.1	0746952000	24-SDS-S38-M48F ¹⁾

¹⁾ Standard size