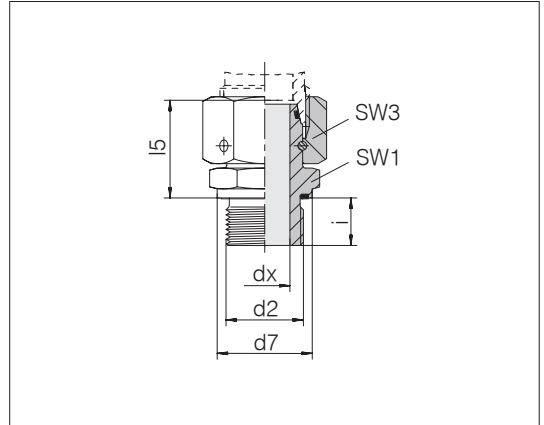


Swivel connectors

With taper and O-ring
fit in bore type W DIN 3861/ISO 8434-1

Male thread: Metric fine thread, cylindrical
Threaded stud: ISO 9974-2 Form E
Sealing type: Profile sealing ring PEFLEX
Sealing material: Standard NBR

Standard O-ring material (DKO) is FKM



Series Tube OD	d2	Pressure	d7	dx	l5	SW1	SW3	i	Nm -10 %	kg/100 ca.	Order-No.	Designation
L 6	M 8 x 1	PN 500	11.9	2.5	24.5	12	14	8	12	2.2	1198052000	24-SWOSDS-L6-M8E
L 6	M 10 x 1	PN 500	13.9	2.5	24.5	14	14	8	15	2.6	1164032000	24-SWOSDS-L6-M10E ¹⁾
L 8	M 12 x 1.5	PN 500	16.9	4	26.5	17	17	12	25	4.4	1164082000	24-SWOSDS-L8-M12E ¹⁾
L 8	M 16 x 1.5	PN 400	21.9	4.5	30.5	22	17	12	70	7.3	1195282000	24-SWOSDS-L8-M16E
L 10	M 12 x 1.5	PN 400	21.9	6	30.5	22	19	12	70	4.0	1197002000	24-SWOSDS-L10-M16E
L 10	M 12 x 1.5	PN 500	16.9	6	26.5	17	19	12	25	4.8	1196012000	24-SWOSDS-L10-M12E
L 10	M 14 x 1.5	PN 500	18.9	6	27.5	19	19	12	50	5.7	1164132000	24-SWOSDS-L10-M14E ¹⁾
L 12	M 12 x 1.5	PN 400	21.9	8	30.5	22	22	12	70	8.3	1164182000	24-SWOSDS-L12-M16E ¹⁾
L 12	M 18 x 1.5	PN 400	23.9	8	30.5	24	22	12	90	10.3	1198202000	24-SWOSDS-L12-M18E
L 12	M 22 x 1.5	PN 400	26.9	8	30.5	27	22	14	130	11.1	1198712000	24-SWOSDS-L12-M22E
L 15	M 18 x 1.5	PN 400	23.9	10	31.5	24	27	12	90	11.9	1164232000	24-SWOSDS-L15-M18E ¹⁾
L 15	M 22 x 1.5	PN 400	26.9	10	32	27	27	14	130	13.2	1198702000	24-SWOSDS-L15-M22E
L 18	M 22 x 1.5	PN 400	26.9	13	31.5	27	32	14	130	15.3	1164282000	24-SWOSDS-L18-M22E ¹⁾
L 18	M 26 x 1.5	PN 250	31.9	13	31.5	32	32	16	180	19.5	1197502000	24-SWOSDS-L18-M26E
L 22	M 26 x 1.5	PN 250	31.9	17	32.5	32	36	16	180	20.2	1164332000	24-SWOSDS-L22-M26E ¹⁾
L 28	M 33 x 2	PN 250	39.9	22	35	41	41	18	230	28.6	1164382000	24-SWOSDS-L28-M33E ¹⁾
L 35	M 42 x 2	PN 250	49.9	28	42.5	50	50	20	330	50.0	1164432000	24-SWOSDS-L35-M42E ¹⁾
L 42	M 48 x 2	PN 250	54.9	34	46.5	55	60	22	500	71.6	1164482000	24-SWOSDS-L42-M48E ¹⁾
S 6	M 12 x 1.5	PN 800	16.9	2.5	27	17	17	12	50	4.7	1164532000	24-SWOSDS-S6-M12E ¹⁾
S 6	M 12 x 1.5	PN 800	21.9	2.5	32	22	17	12	80	8.1	1196282000	24-SWOSDS-S6-M16E
S 8	M 12 x 1.5	PN 800	21.9	4	32	22	19	12	80	8.6	1196292000	24-SWOSDS-S8-M16E
S 8	M 14 x 1.5	PN 800	18.9	4	29.5	19	19	12	60	6.4	1164582000	24-SWOSDS-S8-M14E ¹⁾
S 10	M 12 x 1.5	PN 800	16.9	4	27	17	22	12	50	6.9	7006835900	24-SWOSDS-S10-M12E
S 10	M 12 x 1.5	PN 800	21.9	6	32	22	22	12	80	9.0	1164632000	24-SWOSDS-S10-M16E ¹⁾
S 12	M 12 x 1.5	PN 800	21.9	6	33	22	24	12	80	10.1	1196222000	24-SWOSDS-S12-M16E
S 12	M 18 x 1.5	PN 630	23.9	8	34	24	24	12	90	11.1	1164682000	24-SWOSDS-S12-M18E ¹⁾
S 14	M 20 x 1.5	PN 630	25.9	9	36.5	27	27	14	130	15.7	1164732000	24-SWOSDS-S14-M20E ¹⁾
S 16	M 22 x 1.5	PN 630	26.9	11	37	27	30	14	130	17.6	1164782000	24-SWOSDS-S16-M22E ¹⁾
S 20	M 27 x 2	PN 420	31.9	14	43	32	36	16	200	27.6	1164832000	24-SWOSDS-S20-M27E ¹⁾
S 25	M 33 x 2	PN 420	39.9	18	48	41	46	18	250	50.5	1164882000	24-SWOSDS-S25-M33E ¹⁾
S 30	M 42 x 2	PN 420	49.9	23	51	50	50	20	500	69.7	1164932000	24-SWOSDS-S30-M42E ¹⁾
S 38	M 48 x 2	PN 420	54.9	30	60	55	60	22	600	76.4	1164982000	24-SWOSDS-S38-M48E ¹⁾

¹⁾ Standard size

Example for comp. :
EGE06LMED
ISO 8434-1-SWOSDS-L6xM10x1-E-St

