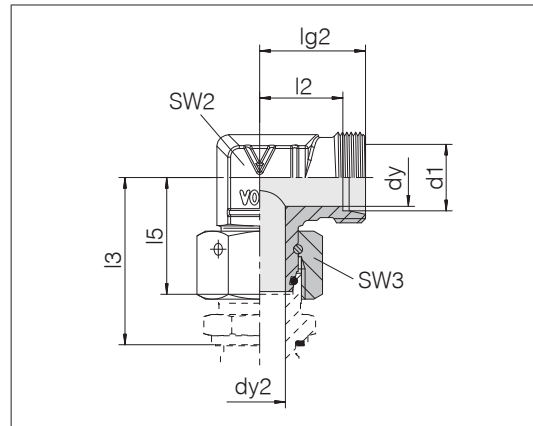


Swivel elbows

With taper and O-ring

Standard material of O-rings is FKM

Tube coupling: 24° in acc. with ISO 8434-1



Series	Tube OD	Pressure	dy	dy2	lg2	l2	l3	l5	SW2	SW3	kg/100 ca.	Order-No.	Designation
L	6	PN 500	4	2.5	19	12	34.5	26	12	14	4.1	1158032058	24-SWOE-L6-P
L	8	PN 500	6	4	21	14	37.5	27.5	14	17	6.2	1158082058	24-SWOE-L8-P
L	10	PN 500	8	6	22	15	40	29	14	19	5.3	1158132058	24-SWOE-L10
L	12	PN 400	10	8	24	17	42	29.5	17	22	10.1	1158182058	24-SWOE-L12
L	15	PN 400	12	10	28	21	46	32.5	19	27	12.9	1158232058	24-SWOE-L15
L	18	PN 400	15	13	31	23.5	50	35.5	24	32	18.6	1158282058	24-SWOE-L18
L	22	PN 250	19	17	35	27.5	55	38.5	27	36	25.3	1158332058	24-SWOE-L22
L	28	PN 250	24	22	38	30.5	59	41.5	36	41	34.2	1158382058	24-SWOE-L28
L	35	PN 250	30	28	45	34.5	68.5	51	41	50	57.4	1158432058	24-SWOE-L35
L	42	PN 250	36	34	51	40	75	56	50	60	103.0	1158482058	24-SWOE-L42
S	6	PN 800	4	2.5	23	16	40	27	14	17	6.2	1158532058	24-SWOE-S6-P
S	8	PN 800	5	4	24	17	42.5	27.5	17	19	8.5	1158582058	24-SWOE-S8-P
S	10	PN 800	7	6	25	17.5	45	30	19	22	12.2	1158632058	24-SWOE-S10-P
S	12	PN 630	8	8	29	21.5	48	31	17	24	10.8	1158682058	24-SWOE-S12
S	14	PN 630	10	9	30	22	54	35	19	27	14.9	1158732058	24-SWOE-S14
S	16	PN 630	12	11	33	24.5	55	36.5	24	30	20.1	1158782058	24-SWOE-S16
S	20	PN 420	16	14	37	26.5	65	44.5	27	36	30.5	1158832058	24-SWOE-S20
S	25	PN 420	20	18	42	30	73	50	36	46	55.4	1158882058	24-SWOE-S25
S	30	PN 420	25	23	49	35.5	78.5	55	41	50	77.9	1158932058	24-SWOE-S30
S	38	PN 420	32	30	57	41	89	63	50	60	118.6	1158982058	24-SWOE-S38

Example for comp. :
EW06LVITOMD
ISO 8434-1-SWOE-L6-St

