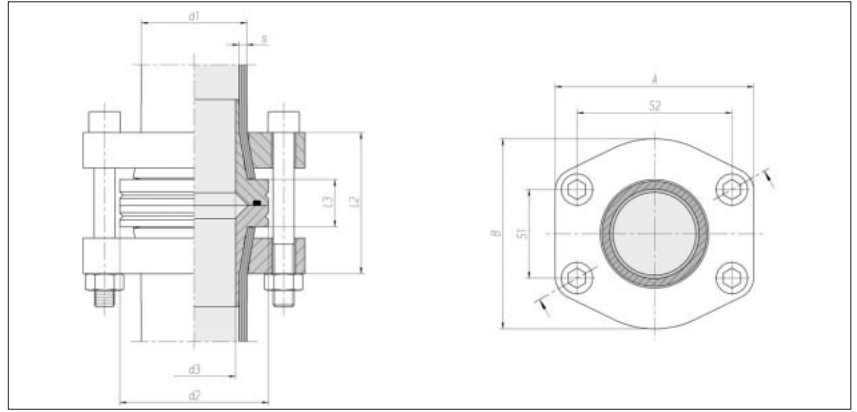


## Tube-to-tube flange couplings ZAKO system Low Pressure

Hole pattern according to  
SAE J 518 C / ISO 6162-1

Max. permissible operating  
pressure (PB) 60 bar



Flange size NW	Tube d1 x s	d2	d3	l2 approx.	l3	S1	S2	A	B	4 x cheese head screw*	Nm**	kg/100 approx.	Order No.
1 1/2"	48.3 x 3.2	63	39	66	17	35.7	69.9	94	83	M 12 x 80	85	168.0	0 5 18 61 20 00
1 1/2"	48.3 x 4	63	36.5	66	17	35.7	69.9	94	83	M 12 x 80	85	173.0	0 5 18 63 20 00
2"	60.3 x 3.6	72	49	81	27	42.9	77.8	102	97	M 12 x 100	85	222.0	0 5 18 81 20 00
2 1/2"	60.3 x 3.6	85	49	81	27	50.8	88.9	114	109	M 12 x 100	85	323.0	0 5 18 65 20 00
2 1/2"	60.3 x 4.5	85	47.5	81	27	50.8	88.9	114	109	M 12 x 100	85	302.0	0 5 18 67 20 00
3"	76.1 x 3.6	100	65.5	96	28	61.9	106.4	135	131	M 16 x 110	210	530.0	0 5 18 69 20 00
3"	76.1 x 4.5	100	63.5	96	28	61.9	106.4	135	131	M 16 x 110	210	446.0	0 5 18 71 20 00
3 1/2"	88.9 x 3.6	114	78	108	36	69.9	120.7	152	140	M 16 x 130	210	682.0	0 5 18 73 20 00
3 1/2"	88.9 x 5	114	74.5	108	36	69.9	120.7	152	140	M 16 x 130	210	693.0	0 5 18 75 20 00
5"	114.3 x 3.6	150	103	108	36	92.1	152.4	184	181	M 16 x 130	210	1044.0	0 5 18 77 20 00
5"	114.3 x 6.3	150	96	108	36	92.1	152.4	184	181	M 16 x 130	210	1087.0	0 5 18 79 20 00

\* Screws according to DIN 912,  
property class 8.8

\*\* Recommended tightening torque  
(Nm max.) at friction coefficient  
 $\mu$  total: 0,14