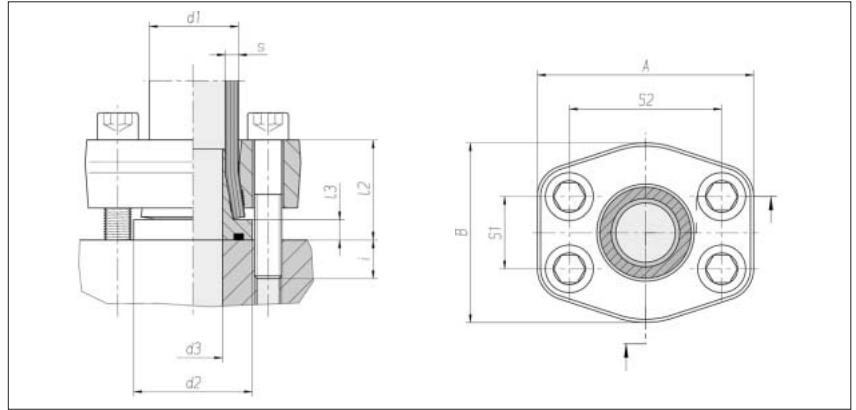


## Tube-to-port flange couplings ZAKO system

Hole pattern according to  
SAE J 518 C / ISO 6162  
Standard series  
(3000 psi)

Max. permissible  
operating pressure (PB)  
250 bar<sup>1)</sup>

Reducing couplings



Flange size	Tube d1 x s	d2	d3	l2 approx.	l3 approx.	S1	S2	A	B	i approx.	4 x cheese head screw	Nm*	kg/100 approx.	Order No. complete	Order No. ***
1"	25 x 3	38	17	38.5	8.5	26.2	52.4	72	60	16.5	M 10 x 55	69	64.0	0 5 13 23 19 00**	0 5 13 23 19 86
1"	25 x 4	38	15	38.5	8.5	26.2	52.4	72	60	16.5	M 10 x 55	69	64.6	0 5 13 24 19 00	0 5 13 24 19 86
1 1/4"	30 x 4	46	20	42	8.5	30.2	58.7	79	73	18	M 12 x 60	120	105.5	0 5 13 26 19 00	0 5 13 26 19 86
1 1/4"	30 x 5	46	17	43.5	8.5	30.2	58.7	79	73	16.5	M 12 x 60	120	105.7	0 5 13 27 19 00	0 5 13 27 19 86
2"	50 x 2.5	63	42	52.5	10	42.9	77.8	102	97	22.5	M 12 x 75	120	193.0	0 5 13 75 19 00	0 5 13 75 19 86
2"	50 x 5	63	37	53	10	42.9	77.8	102	97	22	M 12 x 75	120	193.2	0 5 13 76 19 00	0 5 13 76 19 86
2"	50 x 6	63	35	55	10	42.9	77.8	102	97	20	M 12 x 75	120	193.1	0 5 13 77 19 00	0 5 13 77 19 86
2"	50 x 8	63	31	56	10	42.9	77.8	102	97	19	M 12 x 75	120	197.4	0 5 13 78 19 00	0 5 13 78 19 86

When selecting the tube dimensions, refer to the pressure specifications of the tube manufacturer.

<sup>1)</sup> According to the ASME Code, a reduced operating pressure applies for the flange sizes 2"

\* Recommended tightening torques (Nm max.) at 10.9

\*\* Sample product code, see: FE-2530-16/3  
\*\*\* without screws