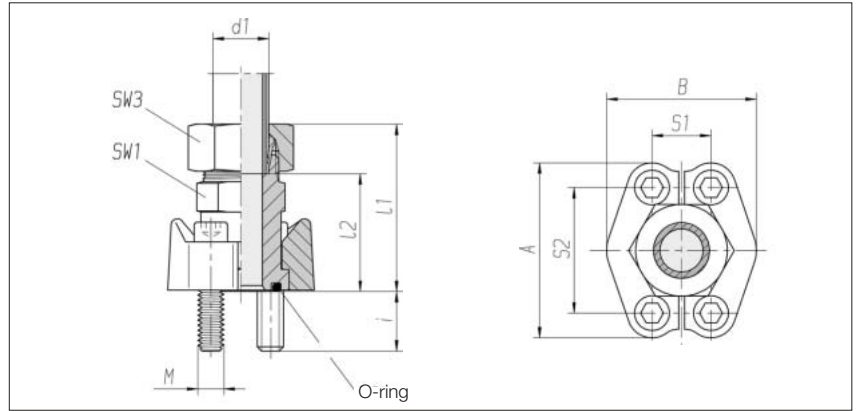


Straight flange couplings

With cutting-ring connection and divided SAE flange
Hole pattern according to SAE J 518 C / ISO 6162
Standard series (3000 psi)



Flange size	Series	PB	SW1	SW3	I1	I2 approx.	S1	S2	A	B	i	4 x cheese head screw DIN 912-8.8	O-ring	Nm*	Order No. complete	Order No. **
3/4"	L 18	315	30	32	62	45.5	22.2	47.6	65	52	16	M 10 x 30	25 x 3.53	50	0 3 05 00 20 81***	0 3 05 00 20 07
3/4"	L 22	160	30	36	62	45.5	22.2	47.6	65	52	16	M 10 x 30	25 x 3.53	50	0 3 05 01 20 81	0 3 05 01 20 07
1"	L 28	160	36	41	63	46.5	26.2	52.4	70	59	14	M 10 x 30	32.92 x 3.53	50	0 3 05 02 20 81	0 3 05 02 20 07
1 1/4"	L 35	160	41	50	69	47.5	30.2	58.7	79	73	24	M 12 x 40	37.7 x 3.53	85	0 3 05 03 20 81	0 3 05 03 20 07
1 1/4"	L 35	160	41	50	69	47.5	30.2	58.7	79	73	19	M 10 x 30	37.7 x 3.53	50	On request	On request
1 1/2"	L 42	160	46	60	76	53	35.7	69.9	94	83	14	M 12 x 35	47.22 x 3.53	85	0 3 05 04 20 81	0 3 05 04 20 07
3/4"	S 20	350	30	36	69	46.5	22.2	47.6	65	52	16	M 10 x 30	25 x 3.53	50	0 3 05 05 20 81	0 3 05 05 20 07
3/4"	S 25	350	30	46	69	45	22.2	47.6	65	52	16	M 10 x 30	25 x 3.53	50	0 3 05 06 20 81	0 3 05 06 20 07
1"	S 30	350	36	50	76	49.5	26.2	52.4	70	59	14	M 10 x 30	32.92 x 3.53	50	0 3 05 08 20 81	0 3 05 08 20 07
1 1/4"	S 25	280	41	46	72	48	30.2	58.7	79	73	24	M 12 x 40	37.7 x 3.53	85	0 3 05 07 20 81	0 3 05 07 20 07
1 1/4"	S 25	280	41	46	72	48	30.2	58.7	79	73	14	M 10 x 30	37.7 x 3.53	50	On request	On request
1 1/4"	S 30	280	41	50	75	48.5	30.2	58.7	79	73	24	M 12 x 40	37.7 x 3.53	85	0 3 05 09 20 81	0 3 05 09 20 07
1 1/4"	S 30	280	41	50	75	48.5	30.2	58.7	79	73	14	M 10 x 30	37.7 x 3.53	50	On request	On request
1 1/4"	S 38	280	46	60	81	50.5	30.2	58.7	79	73	24	M 12 x 40	37.7 x 3.53	85	0 3 05 10 20 81	0 3 05 10 20 07
1 1/4"	S 38	280	46	60	81	50.5	30.2	58.7	79	73	14	M 10 x 30	37.7 x 3.53	50	On request	On request
1 1/2"	S 38	210	46	60	85	54	35.7	69.9	94	83	19	M 12 x 35	47.22 x 3.53	85	0 3 05 11 20 81	0 3 05 11 20 07

* Nm = Recommended tightening torques for cheese head screws M10/12 with friction value μ total 0.14

** With union nut and 2S cutting ring

*** Sample product code, see: GFS33/18L