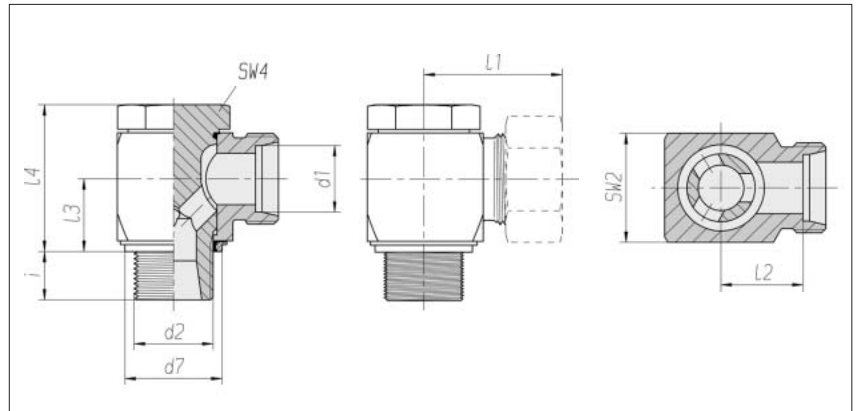


Banjo couplings

Compact version –
high pressure

Thread:
Whitworth pipe thread,
straight

With soft seal
for DIN 3852 / ISO 1179
d4 narrow swivel angle



Series	Pressure	d2		d7	SW2	SW4	l1*	l2	l3	l4	i	Nm	kg/100	Order No.	Order No.
Tube OD							approx.					-10 %	approx.	Single component	**
d1															
L 6	PB 500	G	1/8 A	14.9	14	14	27.5	13	10	21	8	25	5.9	1 1 50 41 20 81	1 1 50 41 20 XX
L 6	PB 500	G	1/4 A	18.9	19	19	29.5	15	13.5	27	10	45	5.9	1 1 50 42 20 81	1 1 50 42 20 XX
L 8	PB 500	G	1/4 A	18.9	19	19	28.5	14	13.5	27	10	45	9.3	1 1 50 43 20 81	1 1 50 43 20 XX
L 10	PB 500	G	1/4 A	18.9	19	19	29.5	15	13.5	27	10	45	10.2	1 1 50 44 20 81	1 1 50 44 20 XX
L 12	PB 400	G	1/4 A	18.9	22	19	29.5	15	15.5	30	10	45	15.8	1 1 50 45 20 81	1 1 50 45 20 XX
L 12	PB 400	G	3/8 A	21.9	24	22	32	17.5	16	32.5	10	75	15.9	1 1 50 46 20 81	1 1 50 46 20 XX
L 15	PB 400	G	1/2 A	26.9	30	27	36	21	21.5	43	12	110	28.4	1 1 50 47 20 81	1 1 50 47 20 XX
L 18	PB 400	G	1/2 A	26.9	30	27	36.5	20.5	21.5	43	12	110	32.0	1 1 50 48 20 81	1 1 50 48 20 XX
L 22	PB 250	G	3/4 A	32.9	36	32	43	27	24	48	16	210	48.5	1 1 50 49 20 81	1 1 50 49 20 XX
L 28	PB 250	G 1	A	39.9	46	41	48	31.5	30.5	59	18	380	88.2	1 1 50 50 20 81	1 1 50 50 20 XX
L 35	PB 250	G 1	1/4 A	49.9	55	50	57	35.5	35.5	70	20	500	150.8	1 1 50 51 20 81	1 1 50 51 20 XX
L 42	PB 250	G 1	1/2 A	55.9	65	55	62.5	40	40.5	80	22	650	234.1	1 1 50 52 20 81	1 1 50 52 20 XX
S 6	PB 500	G	1/4 A	18.9	19	19	30.5	16	13.5	27	10	50	8.7	1 1 50 53 20 81	1 1 50 53 20 XX
S 8	PB 500	G	1/4 A	18.9	19	19	30.5	16	13.5	27	10	50	10.3	1 1 50 54 20 81	1 1 50 54 20 XX
S 10	PB 500	G	3/8 A	21.9	24	22	34	18	16	32.5	10	80	17.0	1 1 50 55 20 81	1 1 50 55 20 XX
S 12	PB 400	G	3/8 A	21.9	24	22	34	18	16	32.5	10	80	17.9	1 1 50 56 20 81	1 1 50 56 20 XX
S 14	PB 400	G	1/2 A	26.9	30	27	39.5	22	19.5	41	12	160	30.3	1 1 50 57 20 81	1 1 50 57 20 XX
S 16	PB 400	G	1/2 A	26.9	30	27	39.5	21.5	21.5	43	12	160	31.6	1 1 50 58 20 81	1 1 50 58 20 XX
S 20	PB 315	G	3/4 A	32.9	36	32	47.5	26	24	48	16	250	51.8	1 1 50 59 20 81	1 1 50 59 20 XX
S 25	PB 250	G 1	A	39.9	46	41	55	31	30.5	59	18	380	103.0	1 1 50 60 20 81	1 1 50 60 20 XX
S 30	PB 250	G 1	1/4 A	49.9	55	50	63	36.5	35.5	70	20	600	163.7	1 1 50 61 20 81	1 1 50 61 20 XX
S 38	PB 250	G 1	1/2 A	55.9	65	55	71.5	41	40.5	80	22	700	262.7	1 1 50 62 20 81	1 1 50 62 20 XX

Supplementary to Order No. for complete fitting	Supplementary to Order No.
tube connection	
2S	07
ES-4	09
BV-10	Refer to the front page

* Apply to complete fittings with
2S or ES-4 tube connection
components.
For BV-10 Refer to the front page.

** With union nut and 2S, ES-4
or BV-10 tube connection
components