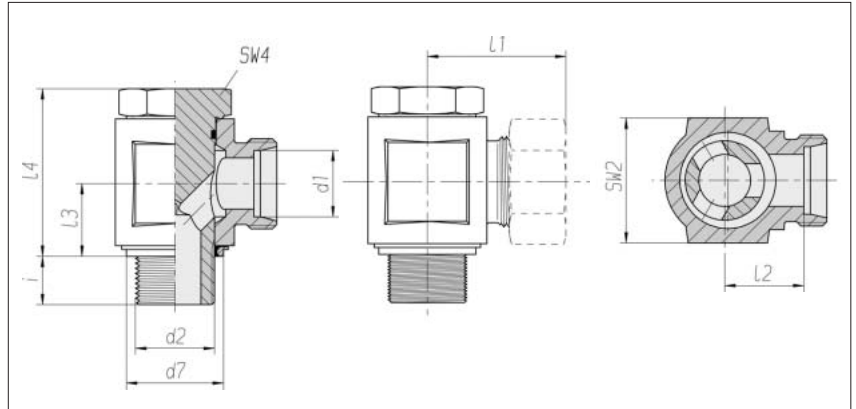


## Banjo couplings

Low-restrictive design  
with eccentric flow channel

Thread:  
metric fine thread,  
straight

With soft seal  
for DIN 3852 /  
ISO 9974  
d4 narrow swivel angle



Series	Pressure	d2	d7	SW2	SW4	l1*	l2	l3	l4	i	Nm	kg/100	Order No.	Order No.
Tube OD						approx.					-10 %	approx.	Single component	**
d1														
L 6	PB 500	M 10 x 1	14.9	19	14	27	12	10.5	25.3	8	30	5.1	1 1 55 01 20 81***	1 1 55 01 20 XX
L 8	PB 400	M 12 x 1.5	17	22	17	29.5	14.5	14	31.5	12	42	9.4	1 1 55 06 20 81	1 1 55 06 20 XX
L 10	PB 350	M 14 x 1.5	18.9	22	19	30.5	15.5	14	33	12	42	7.9	1 1 55 11 20 81	1 1 55 11 20 XX
L 12	PB 350	M 16 x 1.5	21.9	27	22	33	18	16.5	38.5	12	60	16.3	1 1 55 16 20 81	1 1 55 16 20 XX
L 12	PB 315	M 18 x 1.5	23.9	30	24	35	20	18.5	42.5	12	70	20.5	1 1 56 80 20 81	1 1 56 80 20 XX
L 15	PB 315	M 18 x 1.5	23.9	30	24	36	21	18.5	42.5	12	70	21.6	1 1 55 21 20 81	1 1 55 21 20 XX
L 15	PB 315	M 22 x 1.5	26.9	36	27	37	22	21.5	47.5	14	160	29.7	1 1 56 82 20 81	1 1 56 82 20 XX
L 18	PB 315	M 22 x 1.5	26.9	36	27	38	21.5	21.5	47.5	14	160	29.9	1 1 55 26 20 81	1 1 55 26 20 XX
L 22	PB 200	M 26 x 1.5	31.9	41	32	42.5	26	24	55.5	16	140	46.5	1 1 55 31 20 81	1 1 55 31 20 XX
L 28	PB 200	M 33 x 2	39.9	50	41	48	31.5	30.5	68	18	350	87.8	1 1 55 36 20 81	1 1 55 36 20 XX
L 35	PB 200	M 42 x 2	49.9	60	50	57	35.5	35.5	78	20	500	147.4	1 1 55 41 20 81	1 1 55 41 20 XX
L 42	PB 200	M 48 x 2	55.9	70	60	63	40	40.5	88.5	22	600	216.9	1 1 55 46 20 81	1 1 55 46 20 XX
S 6	PB 500	M 12 x 1.5	17	22	17	31.5	16.5	14	30.5	12	57	9.9	1 1 55 51 20 81	1 1 55 51 20 XX
S 8	PB 450	M 14 x 1.5	18.9	22	19	31.5	16.5	14	31	12	90	10.9	1 1 55 56 20 81	1 1 55 56 20 XX
S 10	PB 400	M 16 x 1.5	21.9	27	22	35	18.5	16.5	37	12	100	17.4	1 1 55 61 20 81	1 1 55 61 20 XX
S 12	PB 400	M 18 x 1.5	23.9	30	24	37	20.5	18.5	40	12	130	22.9	1 1 55 66 20 81	1 1 55 66 20 XX
S 16	PB 400	M 22 x 1.5	26.9	36	27	41	22.5	21.5	47	14	180	32.0	1 1 55 76 20 81	1 1 55 76 20 XX
S 20	PB 400	M 27 x 2	32.9	46	36	49	27.5	24	55	16	300	59.7	1 1 55 81 20 81	1 1 55 81 20 XX
S 25	PB 250	M 33 x 2	39.9	50	41	55	31	30.5	66.5	18	380	93.4	1 1 55 86 20 81	1 1 55 86 20 XX
S 30	PB 250	M 42 x 2	49.9	60	50	63	36.5	35.5	75.5	20	600	157.3	1 1 55 91 20 81	1 1 55 91 20 XX
S 38	PB 250	M 48 x 2	55.9	70	60	72	41	40.5	86.5	22	750	232.8	1 1 55 96 20 81	1 1 55 96 20 XX

Supplementary to Order No. for complete fitting tube connection	Supplementary to Order No.
2S	07
ES-4	09
BV-10	Refer to the front page

\* Apply to complete fittings with 2S or ES-4 tube connection components.  
For BV-10 Refer to the front page.

\*\* With union nut and 2S, ES-4 or BV-10 tube connection components

\*\*\* Sample product code, see: WH06LMKDSOMD