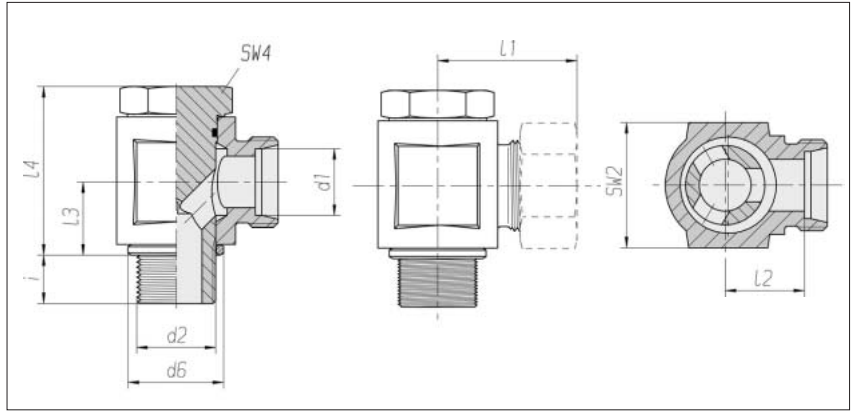


Banjo couplings

Low-restrictive design with eccentric flow channel

Thread:
metric fine thread,
straight

With seal-edge ring for
DIN 3852 / ISO 9974
d4 narrow swivel angle



Series	Pressure	d2	d6	SW2	SW4	I1	I2	I3	I4	i	Nm	kg/100	Order No.	Order No..
Tube OD						approx.					-10 %	approx.	Single component *	*
d1														
L 6	PB 500	M 10 x 1	14	19	14	27	12	10.5	25.3	8	30	5.1	1 1 55 00 20 81**	1 1 55 00 20 07
L 8	PB 400	M 12 x 1.5	17	22	17	29.5	14.5	14	31.5	12	42	9.5	1 1 55 05 20 81	1 1 55 05 20 07
L 10	PB 350	M 14 x 1.5	19	22	19	30.5	15.5	14	33	12	42	9.9	1 1 55 10 20 81	1 1 55 10 20 07
L 12	PB 350	M 16 x 1.5	21	27	22	33	18	16.5	38.5	12	60	16.3	1 1 55 15 20 81	1 1 55 15 20 07
L 12	PB 315	M 18 x 1.5	23	30	24	35	20	18.5	42.5	12	70	20.7	1 1 55 17 20 81	1 1 55 17 20 07
L 15	PB 315	M 18 x 1.5	23	30	24	36	21	18.5	42.5	12	70	21.6	1 1 55 20 20 81	1 1 55 20 20 07
L 15	PB 315	M 22 x 1.5	27	36	27	37	22	21.5	47.5	14	160	29.8	1 1 55 22 20 81	1 1 55 22 20 07
L 18	PB 315	M 22 x 1.5	27	36	27	38	21.5	21.5	47.5	14	160	29.8	1 1 55 25 20 81	1 1 55 25 20 07
L 22	PB 200	M 26 x 1.5	31	41	32	42.5	26	24	55.5	16	140	46.4	1 1 55 30 20 81	1 1 55 30 20 07
L 28	PB 200	M 33 x 2	39	50	41	48	31.5	30.5	68	18	350	88.3	1 1 55 35 20 81	1 1 55 35 20 07
L 35	PB 200	M 42 x 2	49	60	50	57	35.5	35.5	78	20	500	145.6	1 1 55 40 20 81	1 1 55 40 20 07
L 42	PB 200	M 48 x 2	55	70	60	63	40	40.5	88.5	22	600	215.4	1 1 55 45 20 81	1 1 55 45 20 07
S 6	PB 500	M 12 x 1.5	17	22	17	31.5	16.5	14	30.5	12	57	9.9	1 1 55 50 20 81	1 1 55 50 20 07
S 8	PB 450	M 14 x 1.5	19	22	19	31.5	16.5	14	31	12	90	10.9	1 1 55 55 20 81	1 1 55 55 20 07
S 10	PB 400	M 16 x 1.5	21	27	22	35	18.5	16.5	37	12	100	17.0	1 1 55 60 20 81	1 1 55 60 20 07
S 12	PB 400	M 18 x 1.5	23	30	24	37	20.5	18.5	40	12	130	22.9	1 1 55 65 20 81	1 1 55 65 20 07
S 14	PB 400	M 20 x 1.5	25	32	27	41	23	20	43	14	160	28.5	1 1 55 70 20 81	1 1 55 70 20 07
S 16	PB 400	M 22 x 1.5	27	36	27	41	22.5	21.5	47	14	180	32.0	1 1 55 75 20 81	1 1 55 75 20 07
S 20	PB 400	M 27 x 2	32	46	36	49	27.5	24	55	16	300	59.6	1 1 55 80 20 81	1 1 55 80 20 07
S 25	PB 250	M 33 x 2	39	50	41	55	31	30.5	66.5	18	380	94.8	1 1 55 85 20 81	1 1 55 85 20 07
S 30	PB 250	M 42 x 2	49	60	50	63	36.5	35.5	75.5	20	600	154.0	1 1 55 90 20 81	1 1 55 90 20 07
S 38	PB 250	M 48 x 2	55	70	60	72	41	40.5	86.5	22	750	231.7	1 1 55 95 20 81	1 1 55 95 20 07

* With union nut and 2S cutting ring

** Sample product code, see:
WH06LMOMD