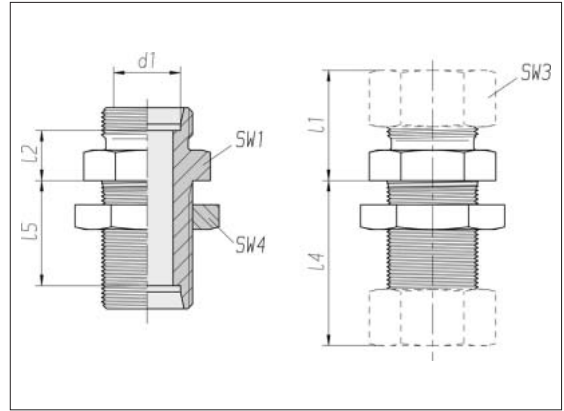


Straight bulkhead couplings



Series Tube OD d1	Pressure	SW1	SW3	SW4	l1* approx.	l2	l4* approx.	l5	kg/100 approx.	Order No. Single component	Order No. **
L 6	PN 500	17	14	17	22	7	42	27	3.8	0 1 37 00 20 66***	0 1 37 00 20 XX
L 8	PN 500	19	17	19	23	8	42	27	4.9	0 1 37 05 20 66	0 1 37 05 20 XX
L 10	PN 500	22	19	22	25	10	43	28	6.6	0 1 37 10 20 66	0 1 37 10 20 XX
L 12	PN 400	24	22	24	25	10	44	29	7.6	0 1 37 15 20 66	0 1 37 15 20 XX
L 15	PN 400	27	27	30	27	12	46	31	12.8	0 1 37 20 20 66	0 1 37 20 20 XX
L 18	PN 400	32	32	36	30	13.5	49	32.5	19.9	0 1 37 25 20 66	0 1 37 25 20 XX
L 22	PN 250	36	36	41	33	16.5	51	34.5	24.8	0 1 37 30 20 66	0 1 37 30 20 XX
L 28	PN 250	41	41	46	35	18.5	52	35.5	33.8	0 1 37 35 20 66	0 1 37 35 20 XX
L 35	PN 250	50	50	55	40	18.5	58	36.5	53.9	0 1 37 40 20 66	0 1 37 40 20 XX
L 42	PN 250	60	60	65	42	19	59	36	75.6	0 1 37 45 20 66	0 1 37 45 20 XX
S 6	PN 800	19	17	19	27	12	44	29	6.5	0 1 37 50 20 66	0 1 37 50 20 XX
S 8	PN 800	22	19	22	28	13	44	29	8.7	0 1 37 55 20 66	0 1 37 55 20 XX
S 10	PN 800	24	22	24	31	14.5	46	29.5	11.0	0 1 37 60 20 66	0 1 37 60 20 XX
S 12	PN 630	27	24	27	31	14.5	47	30.5	13.9	0 1 37 65 20 66	0 1 37 65 20 XX
S 14	PN 630	30	27	30	35	17	50	32	17.8	0 1 37 70 20 66	0 1 37 70 20 XX
S 16	PN 630	32	30	32	35	16.5	50	31.5	19.7	0 1 37 75 20 66	0 1 37 75 20 XX
S 20	PN 420	41	36	41	39	17.5	55	33.5	34.5	0 1 37 80 20 66	0 1 37 80 20 XX
S 25	PN 420	46	46	46	44	20	59	35	49.2	0 1 37 85 20 66	0 1 37 85 20 XX
S 30	PN 420	50	50	50	48	21.5	64	37.5	61.7	0 1 37 90 20 66	0 1 37 90 20 XX
S 38	PN 420	65	60	65	53	22	68	37	108.0	0 1 37 95 20 66	0 1 37 95 20 XX

Special pressure stages apply in combination with the 2S cutting ring (refer to Page 48)

Supplementary to Order No. for complete fitting	
tube connection	Supplementary to Order No.
2S	07
ES-4	09
BV-10	Refer to the front page

Max. bulkhead wall thickness 16 mm

* Apply to complete fittings with 2S or ES-4 tube connection components.
For BV-10 Refer to the front page.

** With union nut and 2S, ES-4 or BV-10 tube connection components

*** Sample product code, see: SV06LOMD
ISO 8434-1-BHSLN-L6-St