

INCH-Gluesizes according to BS 4346 part I

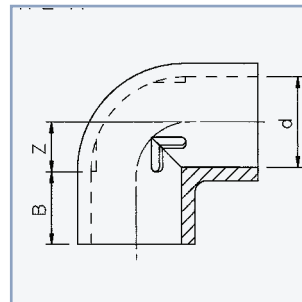
1/4 inch = 13.5 mm
 3/8 inch = 17.1 mm
 1/2 inch = 21.3 mm
 3/4 inch = 26.7 mm
 1 inch = 33.5 mm

1 1/4 inch = 42.2 mm
 1 1/2 inch = 48.2 mm
 2 inch = 60.3 mm
 2 1/2 inch = 75.1 mm
 3 inch = 88.8 mm

4 inch = 114.2 mm
 5 inch = 140.1 mm
 6 inch = 168.2 mm
 8 inch = 219.0 mm

Elbow 90°

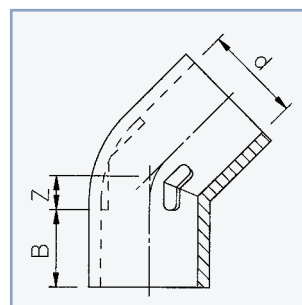
Knie 90°
 Winkel 90°
 Coude 90°
 Gomito 90°
 Codo 90°



Art.code	(inch) d	Z	B	PN	Quantity
2.27.020	1/2	12	17	16	200
2.27.025	3/4	14.5	20	16	300
2.27.032	1	18.5	23	16	250
2.27.040	1 1/4	23	28	16	150
2.27.050	1 1/2	27	30	16	100
2.27.063	2	34.5	36	16	50
2.25.075	2 1/2	38.5	44	16	30
2.27.090	3	46	51	16	17
2.27.110	4	54	63	16	12
2.25.140	5	71	76	16	5
2.27.160	6	90	91	16	2

Elbow 45°

Knie 45°
 Winkel 45°
 Coude 45°
 Gomito 45°
 Codo 45°



Art.code	(inch) d	Z	B	PN	Quantity
2.31.020	1/2	5	17	16	125
2.31.025	3/4	6.5	20	16	150
2.31.032	1	8	23	16	250
2.31.040	1 1/4	10.5	28	16	150
2.31.050	1 1/2	12.5	30	16	100
2.31.063	2	16	36	16	65
2.30.075	2 1/2	16.5	44	16	35
2.31.090	3	19.5	51	16	24
2.31.110	4	21.5	63	16	12
2.30.140	5	30	76	16	6
2.31.160	6	42	91	16	2