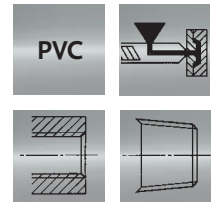
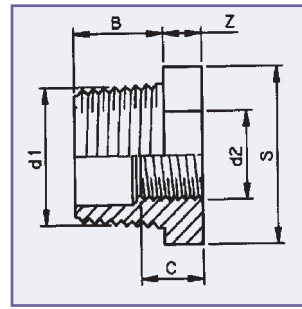
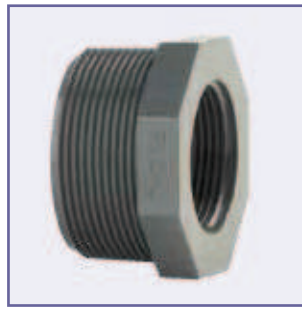


Reducing bush

Verloopring
 Reduzierstück
 Réduction courte
 Riduzione curta
 Reducción corta



PVC-u metric

Art.code	d1	d2	Z	B	C	S	PN	Quantity
3.11.024	3/4" (M)	1/4" (F)	8	17	12	32	16	100
3.11.025	3/4" (M)	3/8" (F)	8	17	14	32	16	100
3.11.031	1" (M)	3/8" (F)	9	21	14	36	16	100
3.11.032	1" (M)	1/2" (F)	9	21	16	36	16	100
3.11.039	1 1/4" (M)	1/2" (F)	10	23	16	46	16	100
3.11.040	1 1/4" (M)	3/4" (F)	10	23	16	46	16	100
3.11.049	1 1/2" (M)	3/4" (F)	11	23	16	55	16	100
3.11.050	1 1/2" (M)	1" (F)	11	23	22	55	16	100
3.11.062	2" (M)	1" (F)	12	27	22	65	16	100
3.11.063	2" (M)	1 1/4" (F)	12	27	23	65	16	100
3.11.064	2" (M)	1 1/2" (F)	12	27	24	65	16	100
3.11.074	2 1/2" (M)	1 1/4" (F)	13	31	23	80	16	50
3.11.075	2 1/2" (M)	1 1/2" (F)	13	31	23	80	16	50
3.11.076	2 1/2" (M)	2" (F)	13	31	34	80	16	50
3.11.089	3" (M)	1 1/2" (F)	16	34	23	94	16	50
3.11.090	3" (M)	2" (F)	16	34	34	94	16	50
3.11.091	3" (M)	2 1/2" (F)	16	34	39	94	16	50