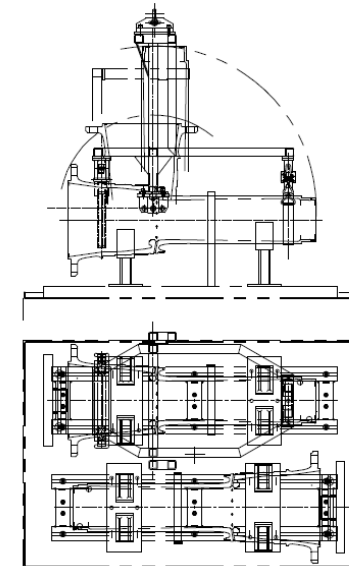
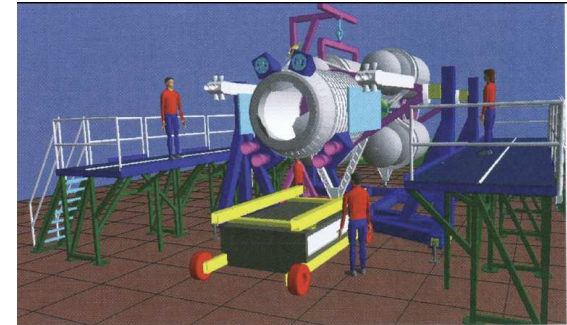


Aeronautics

Assembly Jigs

- ✓ Design of assembly jigs of airplane items (fuselage, wings, centre body)
- ✓ Design of fixtures for air transport, with static and dynamic calculations for stress compensation in x, y, z , in function of “g” accelerations to which the carried object is submitted
- ✓ Design of lifting plants with static calculations



Shaft lifting and positioning fixture

Studio Progettazioni Industriali

Contact Us

For further information about our Company please visit the
web site: www.spi-tech.it

or send an e-mail: spitech@spi-tech.it

or contact us

+39 0119003135 / +39 0119003145

Thank you!