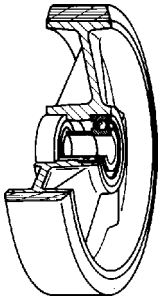


## SERIE 64



**“TR” POLYURETHANE WHEELS,  
CAST IRON CENTRE,  
FIXED ELECTROWELDED SPRUNG-LOADED BRACKET  
TYPE EES MHD**

### Wheel description

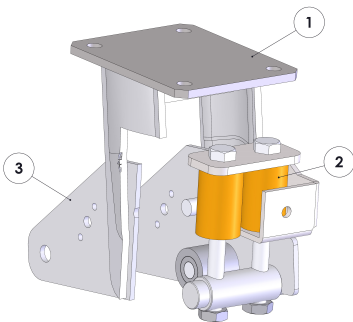


**Tread:** “TR” polyurethane, hardness 95 +/- 3 Shore A.

**Centre:** cast iron.

**Hub:** the housing is obtained by moulding and turning and contains ball bearings series Z

### Bracket description



**Electrowelded sprung-loaded bracket EES MHD-max loading capacity 1000 daN (damping up to 400 daN)**

1) Electrolytically galvanised top plate with deep-drawn legs electrowelded to the flange

2) Polyurethane springs

3) Internal moving fork: deep-drawn legs electrowelded to the tube