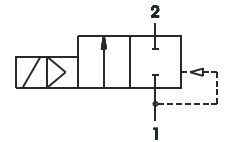


**2/2 way solenoid valve normally closed**

**type 60A**  
**pilot operated, DN 10mm, G3/8", body stainless-steel AISI304**



function A  
 (normally closed)

SPECIFICATION	
<b>general</b>	
type of construction	2/2-poppet valve, with diaphragm, normally closed NC, coil 360° rotatable
operator	solenoid
ports	G3/8
ambient temperature	-20 °C to +50 °C, higher allowed ambient temperatures on request
fluid temperature	dependent on sealing material and coil
viscosity	max. 21mm <sup>2</sup> /s (cst) or 3°E
material	body and tube: stainless-steel inner parts: stainless steel, sealing: see type selection
mounting	2 threads M4 on the bottom side
installation	in any position, preferable vertical fixed solenoid coil
unit of supply	without connector
<b>electrical data</b>	
voltage	DC voltage or AC voltage
standard voltage	24V DC, 24V AC, 230V AC
special voltage on request	6V-207V DC, 12V-240V, 50Hz or 60Hz
acceptable voltage tolerance	+/- 10%
power consumption	see specifications at solenoid coils
coil type	temperature class F (155°C), winding class H (180°C)
duty cycle	100% ED (DB), continuous operation
protection class	IP65 according DIN EN 60529 (DIN 40050) with correctly mounted connector
<b>pneumatic – hydraulic</b>	
flow medium	all liquids and gases, which don't attack the used material
max. body housing pressure	PN 25 (bar)
response time	depending on operating pressure and fluid

E & OE: We reserve the right to change design, dimensions or materials without notice.

type 60A, normally closed					
type * (order-nr.)	DN (mm)	ports	maximum differential pressure in bar **		kv-value (m <sup>3</sup> /h)
			coil <b>E1AA</b>		
			~ (50Hz)	= (DC)	
60A - 3. - A....	10	G3/8	0,02 - 12	0,02 - 10	1,7

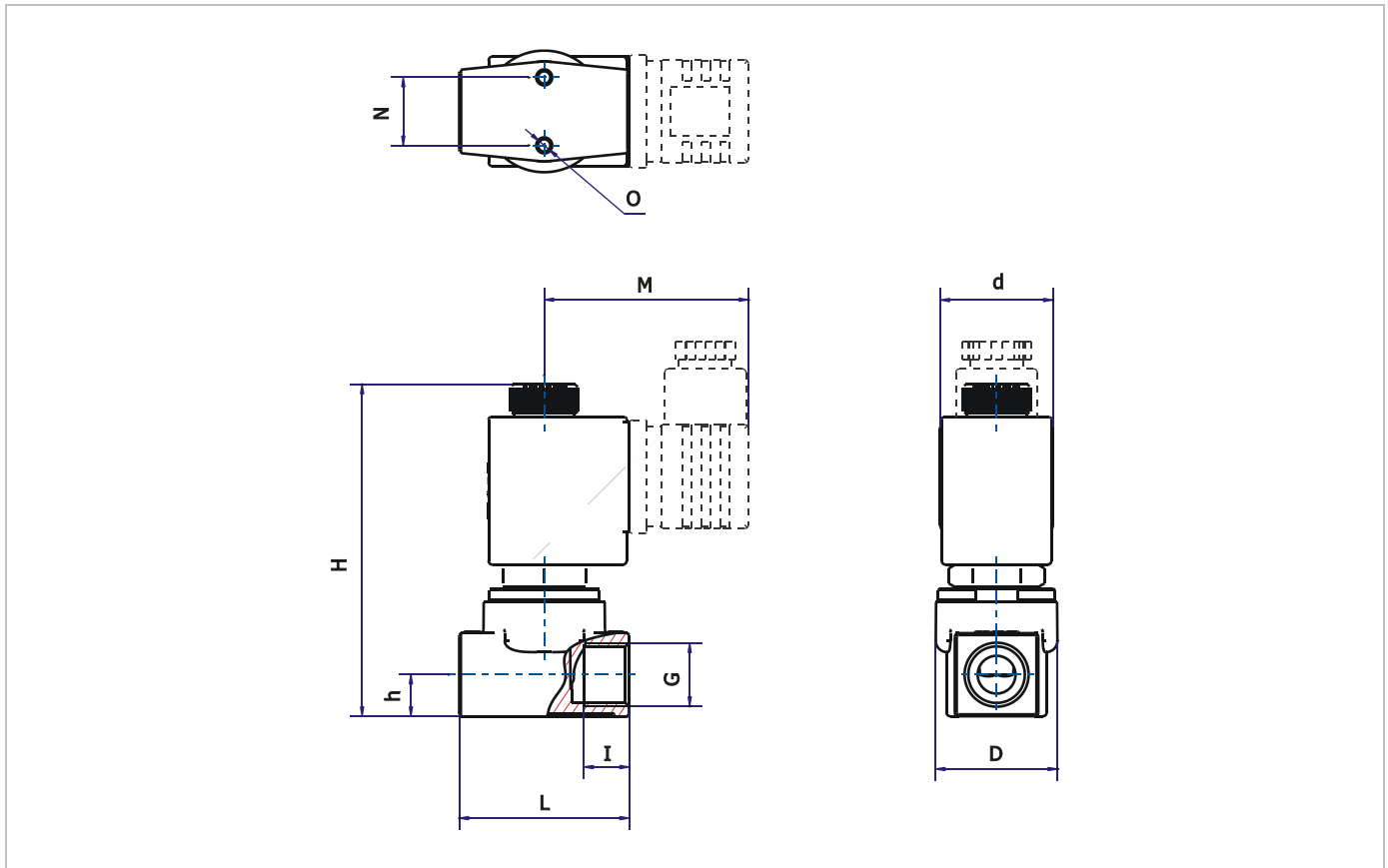
\* Type designation (order-nr.) must be completed with sealing material, coil and supply voltage.

\*\* At DC voltage all pressure specifications apply to a fluid temperature up to 80 °C. At higher fluid temperatures, the maximum differential pressure will be reduced by 0,4% / °C. Valves are suitable for vacuum.

sealing material	Code	fluid temperature	applicable for	standard voltage	Code
NBR (Perbunan)	<b>B</b>	max. 80°C	neutral gases and liquids	24V = DC	<b>02400</b>
EPDM	<b>E</b>	max. 130°C	hot water, steam, not for oil and grease	24V ~ (50Hz)	<b>02450</b>
FPM	<b>V</b>	max. 130°C	oil, petrol, oxygen	230V ~ (50Hz)	<b>23050</b>

coil power consumption at 20 °C, protection class, interface					
coil type	inrush power ~ (50Hz) VA	rated power ~ (50Hz) VA	power = (DC) (W)	protection class with/without connector	interface
E1AA	30	17	12	IP65 / IP00	Connector DIN EN 175301-803 (DIN 43650) type A

ORDER CODE	60 A - 3 B - A E1AA 02400				
	type	function	ports	seal material	supply voltage
type	type 60: stainless-steel AISI304				
function	A = normally closed				
ports	3 = G3/8				
seal material	B = NBR (Perbunan), E = EPDM, V = FPM				
short circuiting ring	A = copper short circuiting ring, X = without short circuiting ring, B = solid silver C = copper gold-plated, D = copper chemical nickel-plated				
coil type	see specifications of the particular coil				
supply voltage	always 5-digit, see code of standard voltage				



Dimension tale for type 60A in mm, weight approx. in kg											
type	G	d	D	h	H	I	L	M	N	O	weight (kg)
60A-3.-AE1AA	G3/8	30	32,5	11	88	12	45	54	18	M4	0,36