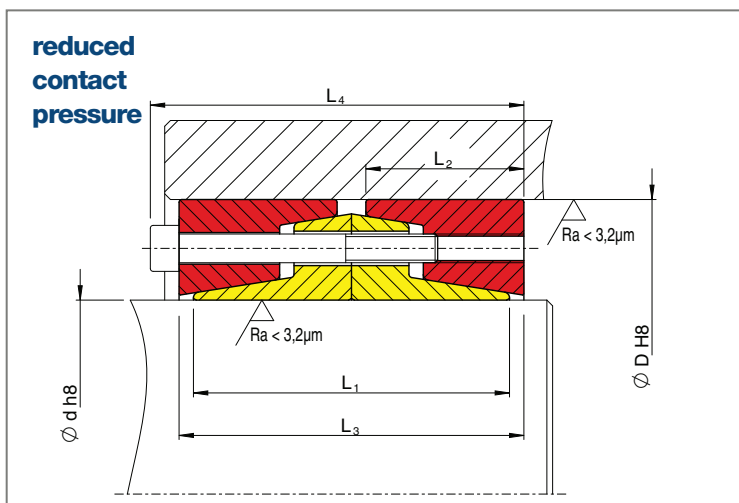


Locking Unit Type IS

Series IS 4.1



Code:

- M_t maximum transmissible torque of a shrink disc with $P_{ax}=0$
- P_{ax} maximum transmissible axial load of a shrink disc with $M_t=0$
- M_a required tightening torque of the tightening bolts (see also "Mounting and Removal Instructions")
- P_w surface pressure on shaft
- P_n surface pressure on hub

Dimensions L_3 and L_4 apply to untightened units.

Type	d	x	D	M_t kNm	P_{ax} kN	L_1 mm	L_2 mm	L_3 mm	L_4 mm	B*	M_a Nm	P_w N/mm ²	P_n N/mm ²	kg
IS 4.1	100	x	145	11	224	66	28	76	86	8 x M10	83	90	73	4
IS 4.1	110	x	155	13	240	66	28	76	86	9 x M10	83	88	73	5
IS 4.1	120	x	165	16	267	66	28	76	86	10 x M10	83	89	77	5
IS 4.1	130	x	180	20	312	76	33	86	96	12 x M10	83	84	70	7
IS 4.1	140	x	190	22	320	76	33	86	96	12 x M10	83	80	68	8
IS 4.1	150	x	200	27	364	76	33	86	96	14 x M10	83	85	73	8
IS 4.1	160	x	210	31	390	76	33	86	96	15 x M10	83	85	75	9
IS 4.1	170	x	225	38	449	86	38	98	110	12 x M12	145	82	70	11
IS 4.1	180	x	235	47	524	86	38	98	110	14 x M12	145	90	78	12
IS 4.1	190	x	250	57	599	102	46	114	126	16 x M12	145	82	69	17
IS 4.1	200	x	260	67	674	102	46	114	126	18 x M12	145	88	75	17
IS 4.1	220	x	285	91	828	110	50	122	136	16 x M14	230	91	77	22
IS 4.1	240	x	305	99	822	110	50	122	136	16 x M14	230	83	72	24
IS 4.1	260	x	325	122	937	110	50	122	136	18 x M14	230	87	76	26
IS 4.1	280	x	355	181	1294	130	60	146	162	18 x M16	355	94	81	38
IS 4.1	300	x	375	215	1431	130	60	146	162	20 x M16	355	97	84	40
IS 4.1	320	x	405	276	1725	154	72	170	188	18 x M18	485	93	78	58
IS 4.1	340	x	425	294	1732	154	72	170	188	20 x M18	485	88	75	62
IS 4.1	360	x	455	372	2065	178	84	198	216	22 x M18	485	85	72	85
IS 4.1	380	x	475	393	2068	178	84	198	216	22 x M18	485	81	69	89
IS 4.1	400	x	495	414	2068	178	84	198	216	24 x M18	485	77	66	93
IS 4.1	420	x	515	507	2412	178	84	198	216	26 x M18	485	86	74	97
IS 4.1	440	x	545	530	2409	202	96	226	246	24 x M20	690	72	61	128
IS 4.1	460	x	565	554	2409	202	96	226	246	22 x M20	690	69	59	134
IS 4.1	480	x	585	578	2409	202	96	226	246	24 x M20	690	66	57	139
IS 4.1	500	x	605	703	2811	202	96	226	246	26 x M20	690	74	64	144
IS 4.1	520	x	630	731	2811	202	96	226	246	26 x M20	690	71	62	157
IS 4.1	540	x	650	759	2811	202	96	226	246	26 x M20	690	68	60	162
IS 4.1	560	x	670	843	3012	202	96	226	246	30 x M20	690	71	62	168
IS 4.1	580	x	690	873	3012	202	96	226	246	30 x M20	690	68	60	173
IS 4.1	600	x	710	903	3012	202	96	226	246	30 x M20	690	66	59	179

Further sizes on request.
Technical changes to be reserved without notice.

*Tightening bolts DINEN ISO 4762: Grade 12.9
When ordering please state: e.g. IS 4.1 x 170 x 225 (Type x Ø d x Ø D)