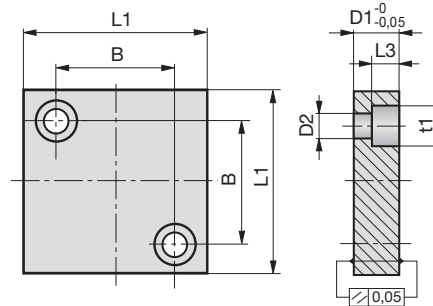
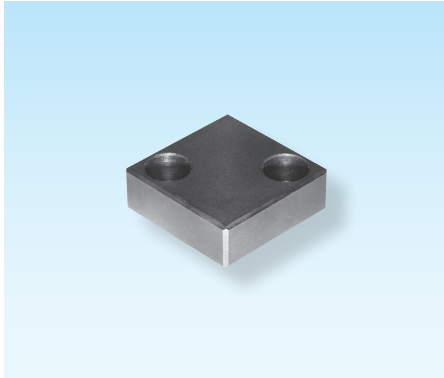


Druckplatten

Wear plates

Plaque de frottement



3

SN2944-

~ 58 HRC



SN2944-Type



Type	Ø dmax	L1	B	D1	D2	t1	L3
22	22	40	21	15	9	15	10
36	36	56	32	20	11	18	13
65	65	71	48	20	11	18	13
95	95	84	60	25	11	18	13

