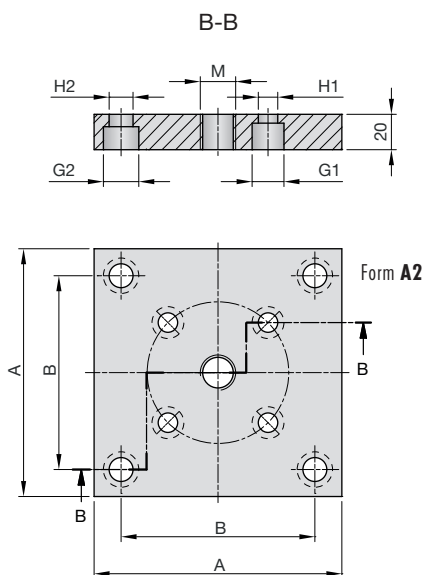
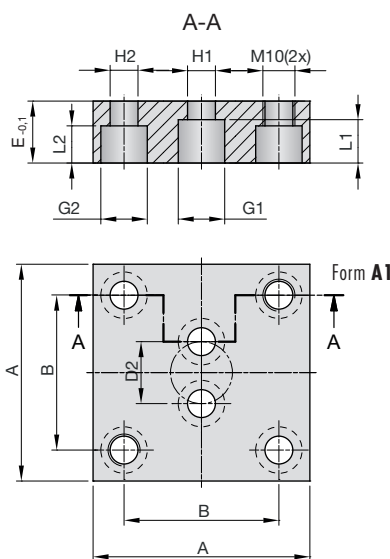
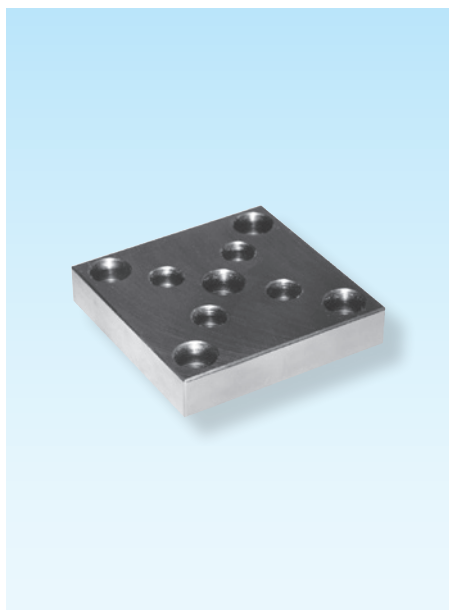


Halteflansche

Flanges

Brides



SN2936-

*ISO 11901-2 / VDI 3003
Mat.: ST

SN2936-Type



Type	A	B	D2	E	G1	G2	H1	H2	L1	L2	M	Form
45*	70	50,0	20	20	15 (2 x)	15	9 (2 x)	9,0	14	12	-	A1
50*	75	56,5	20	20	15 (2 x)	15	9 (2 x)	9,0	14	12	-	A1
63	90	68,0	20	20	15 (2 x)	18	9 (2 x)	11,0	12	15	-	A1
75*	100	73,5	40	20	15 (4 x)	18	9 (4 x)	11,0	14	12	20	A2
95*	120	92,0	60	20	15 (4 x)	20	9 (4 x)	13,5	14	13	20	A2
120*	140	109,5	80	20	18 (4 x)	20	11 (4 x)	13,5	15	13	20	A2
150*	190	138,0	100	25	18 (4 x)	26	11 (4 x)	17,5	15	17	20	A2
195*	210	170,0	120	25	18 (4 x)	26	13,5 (4 x)	17,5	15	17	20	A2

