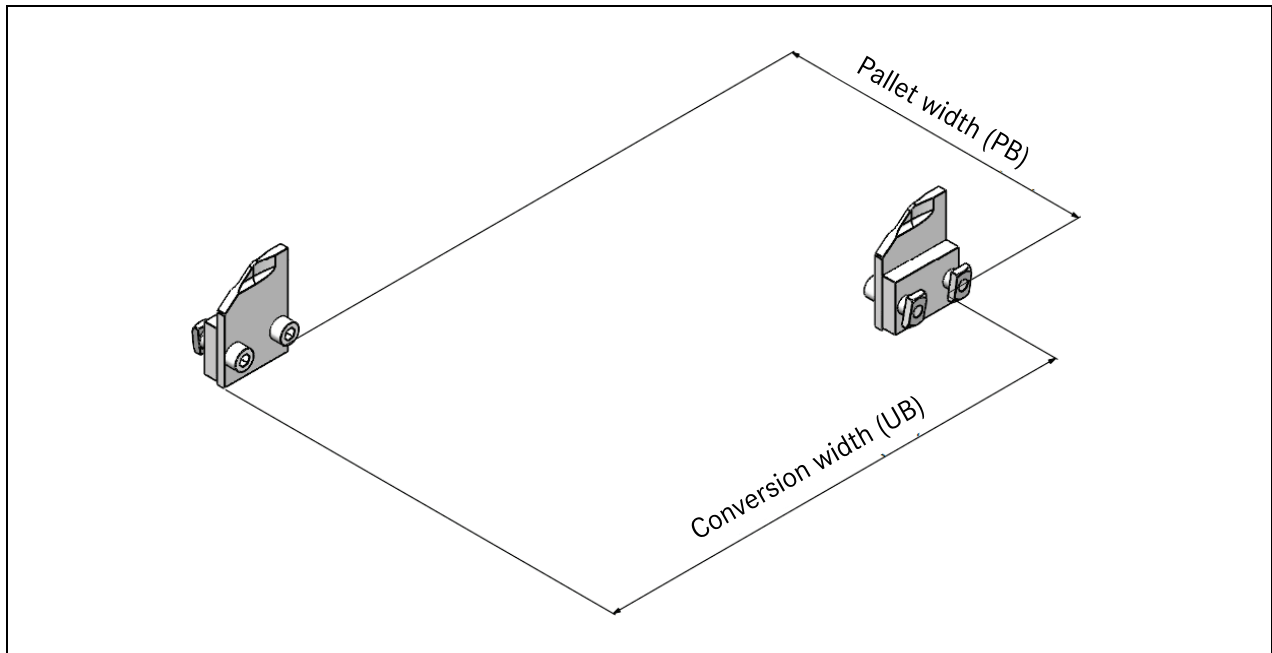


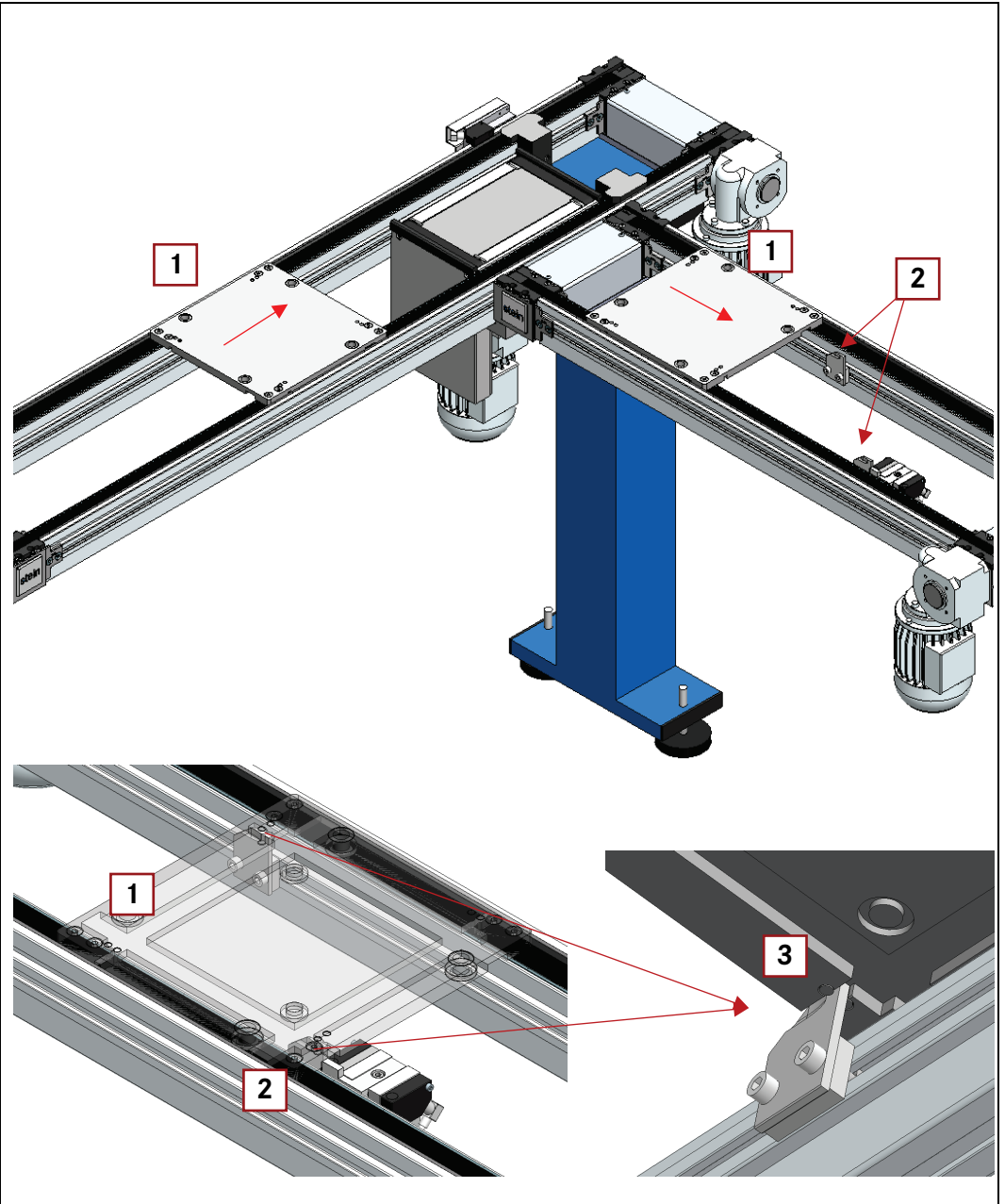
## Centring rails (300627001)



If centring rails are installed in the belt element, the workpiece carrier is centered precisely to  $\pm 0.2$  mm in pallet width (PB) via the built-in centering pins.

## Example of use

- 1 Pallet
- 2 Centring rails ZS
- 3 Centering pins in the pallet



## Mounting: Centring rails

- 1 Belt element profile with groove
- 2 Centring rails ZS

