

## Lift/Centring device with extended stroke (300110001)

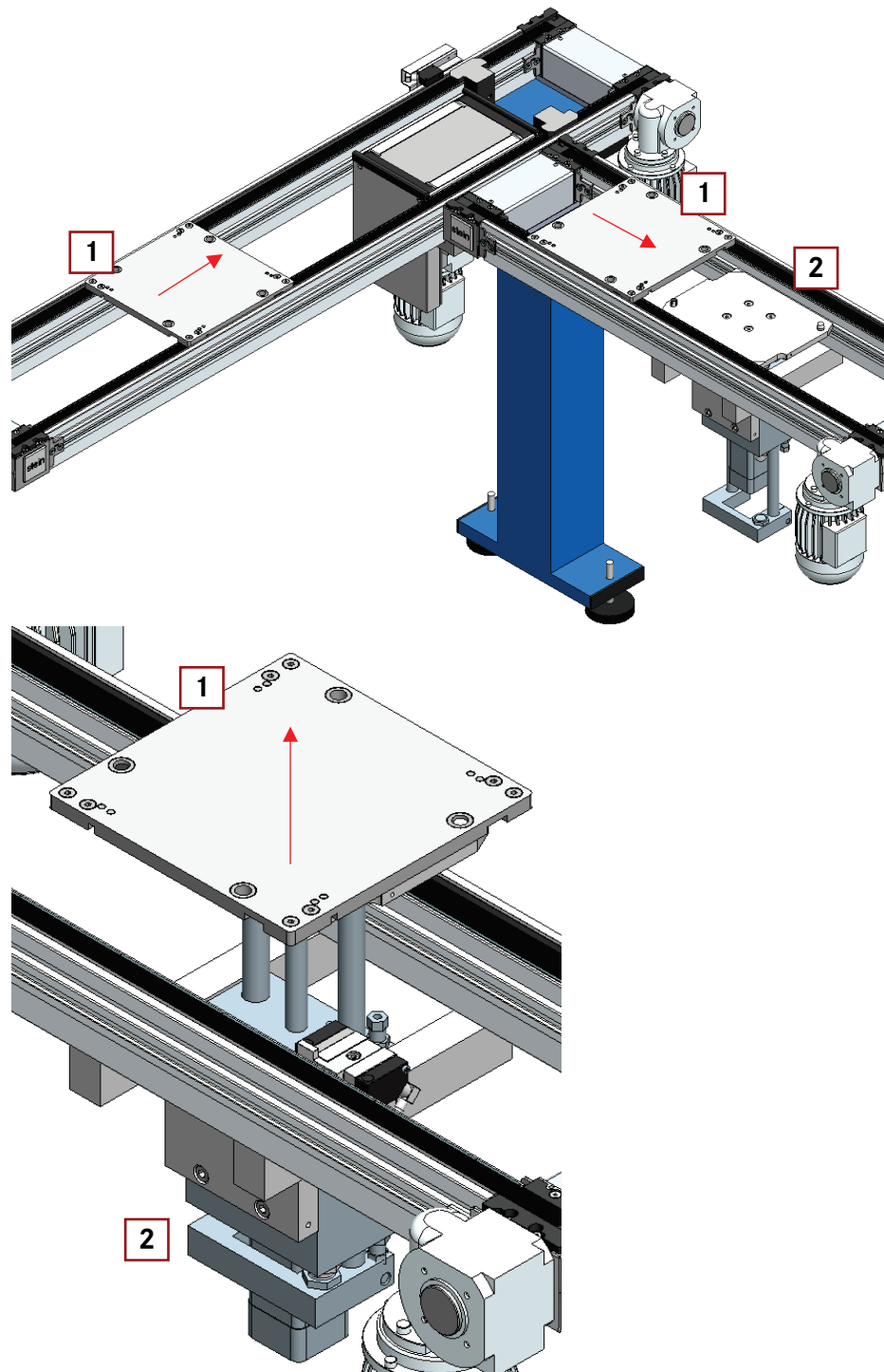


The extended lift/centring device (HZEV) can lift the workpiece carrier in the Z axis (up to 350 mm). Various cylinder strokes are available for this purpose. Max. Load 400 N.

|                             |   |
|-----------------------------|---|
| Permissible total weight    | Workpiece, workpiece holder and workpiece carrier: 12 kg  |
| Stroke                      | max. 350 mm<br>WT= max. 337 mm over the drive belt  |
| Position accuracy of the WT | In X and Y axis +/- 0.02 mm<br>In Z axis +/- 0.1 mm (with central load)   |
| Compressed air connection   | PUN 6x1, Fa. Festo / max. 6 bar   |
| Permissible WT load         | X-axis: 0 N<br>(load only with customer support)<br>Y-axis: 0 N<br>(load only with customer support)<br>Z-axis:<br>400 N with central load (STEIN operating pressure 4 bar).<br>From 100 N the belt element must be supported with a stand or base plate!<br>M: 10Nm with off-center load |

## Example of use

- 1 Pallet
- 2 Lift/Centring device with extended stroke HZEV



## Mounting: Lift/Centring device with extended stroke

- 1 Belt element profile with groove
- 2 Lift/Centring device with extended stroke HZEV

