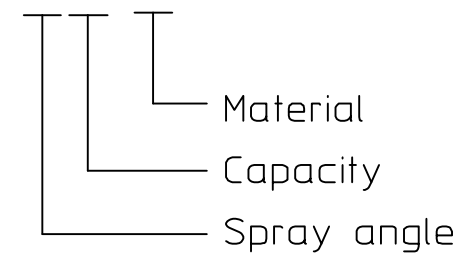
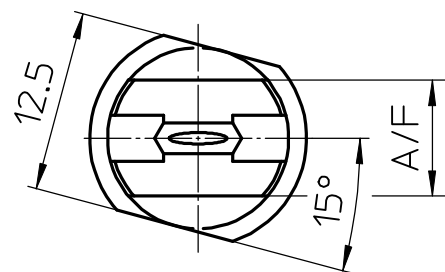
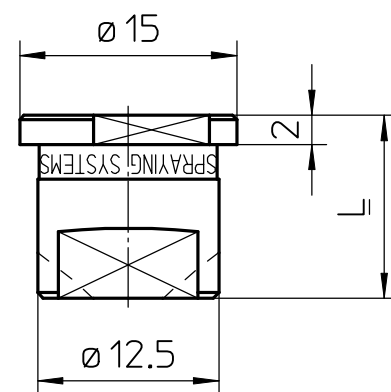
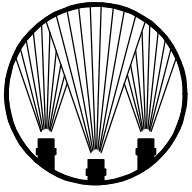


Description	Capacity	Dimensions		Structure Part-No.
		L [mm]	A/F [mm]	
Plug	--	9.6	8	D24511-BK-__
Flat spray tip	to 09	9.6	8	D26808-TP_____
	Size 10 to 20	12.7	8	D26808-TP_____
	Size 30 to 40	14.0	10	D26808-TP____CD---
	Size 50 to 70	15.5	10	D26808-TP____CD---



More informations:
see catalog (UniJet)



Description:	 Spraying Systems P.O. Box 900928 D-21049 Hamburg ☎ 49/40/76 60 01-0
UniJet-Tip-Fix 15°	
Part No.:	Data Sheet No.: DS26808-1_GB
Replaced Dwg.:	By: 030326 SC A0 TB RF CAD