

Compact ejector

SCPSb 07 S04 NC

Part no.:10.02.02.04130

<https://www.schmalz.com/10.02.02.04130>



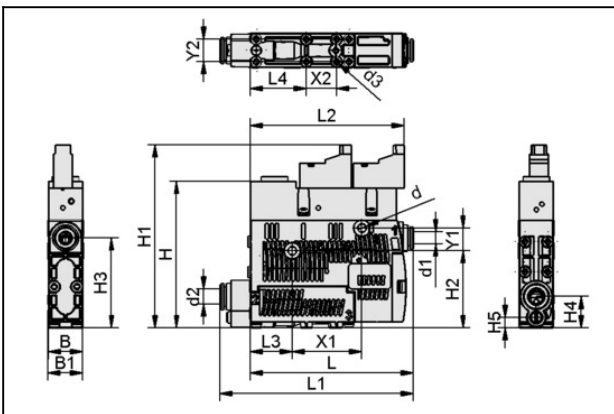
Homepage > Vacuum Technology for Automation > Vacuum Components > Vacuum Generators > Compact ejectors > Compact ejectors SCPSb > SCPSb 07 S04 NC

Compact ejector



Nozzle size: 0,7 mm
Connection: Hose D6(1)-D6(2)
Suction rate (max): 16 l/min
Air consumption (during evac.):
22 l/min
Vacuum (max): -850 mbar
Control: Normally closed

Design Data



Attribute	Value
-----------	-------

B	18 mm
B1	18.6 mm
d	4.4 mm
d1	6 mm
d2	6 mm
d3	2.6 mm
H	77.5 mm
H1	97 mm
H2	40.8 mm
H3	47.5 mm
H4	16.5 mm
H5	5.5 mm
L	86.2 mm

Contact to Schmalz

J. Schmalz GmbH | Johannes-Schmalz-Straße, 72293 Glatten, Deutschland | +49 7443 2403-102 | customercenter@schmalz.de

Compact ejector

SCPSb 07 S04 NC

Part no.:10.02.02.04130

<https://www.schmalz.com/10.02.02.04130>



Attribute	Value
L1	102.5 mm
L2	81.4 mm
L3	22 mm
L4	29.5 mm
X1	36.9 mm
Y1	12 mm
Y2	12 mm

Technical Data

Attribute	Value
Nozzle diameter	0.7 mm
Degree of evacuation	85 %
Suction rate (max.)	16 l/min
Suction rate (max.)	0.98 m ³ /h
Pressure range (operating pressure)	2.0 ... 6.0 bar
Weight	0.165 kg

Spare Parts

Contact to Schmalz

J. Schmalz GmbH | Johannes-Schmalz-Straße, 72293 Glatten, Deutschland | +49 7443 2403-102 | customercenter@schmalz.de

Compact ejector

SCPSb 07 S04 NC

Part no.:10.02.02.04130

<https://www.schmalz.com/10.02.02.04130>



SD-EINS 15x16.5 SD

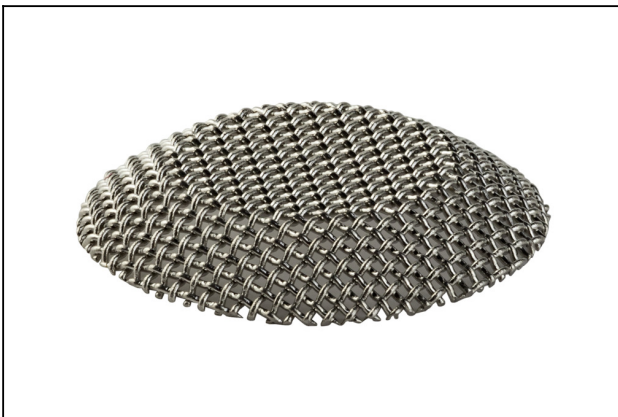
Part no.10.02.02.04141

Silencer insert

External diameter D: 15 mm

Length L: 16.5 mm

for: Silencers



SIEB 11x2 X-5 0.415/0.22

Part no.10.02.02.04404

Screen protects the vacuum system from contamination

External diameter D: 11 mm

Length L: 2 mm

Material: Stainless steel X5 CrNi

Mesh: 0.415 mm

Wire size: 0.22 mm

Accessories



ABL-SET SCPS einstufig

Part no.10.02.02.04216

Exhaust air set

for: Compact ejectors SCPS

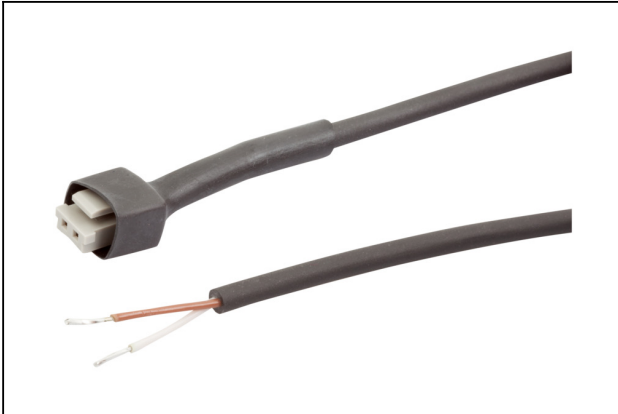
Size: einstufig

Compact ejector

SCPSb 07 S04 NC

Part no.:10.02.02.04130

<https://www.schmalz.com/10.02.02.04130>



ASK B-MIC10 3000 K-2P

Part no.21.04.06.00086

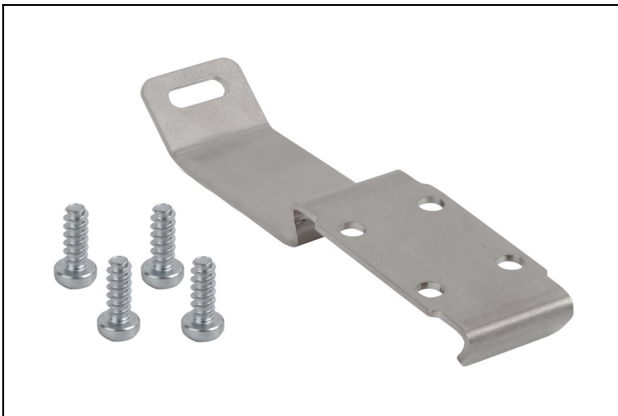
Connection cable

Interface Connection 1: Connect. 10mm

Cable length: 3000 mm

Interface Connection 2: Cable 2

Material: PUR-Cable



HUT-SN-KL 70x18x8

Part no.10.02.02.04149

Top-hat rail clamp comp.

Length L: 70 mm

Width B: 18 mm

Height H: 8 mm

Section type: EN 50022



SET SCPS

Part no.10.02.02.04343

Mounting set

for: Compact ejectors SCPS

Compact ejector

SCPSb 07 S04 NC

Part no.:10.02.02.04130

<https://www.schmalz.com/10.02.02.04130>



UMR-SET SCPSb

Part no.10.02.02.04848

Conversion kit

for: Compact ejectors SCPSb



VFI CN6/4 50

Part no.10.07.01.00241

Vacuum filter with replaceable filter cartridge

Connection: Hose 6/4 with Cap nut

Filter pore size: 50 µm



VFI CN8/6 50

Part no.10.07.01.00245

Vacuum filter with replaceable filter cartridge

Connection: Hose 8/6 with Cap nut

Filter pore size: 50 µm

Compact ejector

SCPSb 07 S04 NC

Part no.:10.02.02.04130

<https://www.schmalz.com/10.02.02.04130>



VFI 6/4 50

Part no.10.07.01.00328

Vacuum filter with replaceable filter cartridge

Connection: Hose 6/4

Filter pore size: 50 µm