

Compact ejector

SCPSi 15 G02 NO M12-5

Part no.:10.02.02.04124

<https://www.schmalz.com/10.02.02.04124>



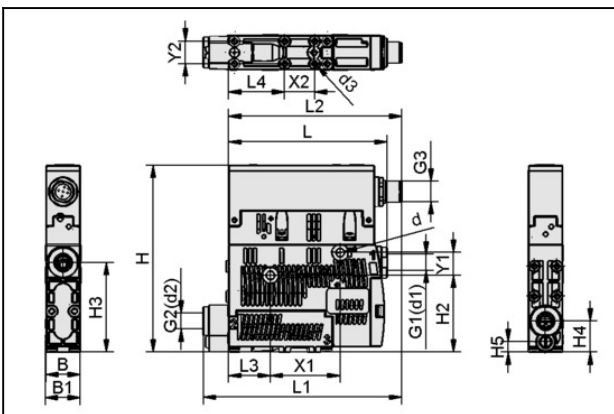
Homepage > Vacuum Technology for Automation > Vacuum Components > Vacuum Generators > Compact ejectors > Compact Ejectors SCPS / SCPSi > SCPSi 15 G02 NO M12-5

Compact ejector



Nozzle size: 1,5 mm
 Connection: G1/8"(1)-G1/8"(2)
 Suction rate (max): 65.5 l/min
 Air consumption (during evac.): 98.5 l/min
 Noise level (free): 77 dB
 at operating press.: 2.0 ... 6.0 bar
 Vacuum (max): -850 mbar
 Control: Normally open
 with: digital air-saving function
 Electrical connection:
 Male connect M12, 5 pol
 Protection: IP 65 (with plug)
 Connection: M12-5

Design Data



Attribute	Value
B	18 mm
B1	18.6 mm
d	4.4 mm
d3	2.6 mm
G1	G1/8"-F
G2	G1/8"-F
G3	M12x1-M
H	99 mm
H2	40.8 mm

Compact ejector

SCPSi 15 G02 NO M12-5

Part no.:10.02.02.04124

<https://www.schmalz.com/10.02.02.04124>



Attribute	Value
H3	47.5 mm
H4	16.5 mm
H5	5.5 mm
L	83.8 mm
L1	105 mm
L2	91.5 mm
L3	22 mm
L4	29.5 mm
X1	36.9 mm
X2	16 mm
Y1	12 mm
Y2	12 mm

Technical Data

Attribute	Value
Nozzle size	15
Degree of evacuation	85 %
Suction rate (max.)	4.03 m ³ /h
Suction rate (max.)	65.5 l/min
Air consumption suction	6.03 m ³ /h
Air consumption suction	98.5 l/min
Air consumption blow off	7.25 m ³ /h
Max. air consumption blow off	118 l/min
Sound level free	77 dB(A)
Sound level suction	65 dB(A)

Compact ejector

SCPSi 15 G02 NO M12-5

Part no.:10.02.02.04124

<https://www.schmalz.com/10.02.02.04124>



Attribute	Value
Pressure range (operating pressure)	2.0 ... 6.0 bar
Recomm. internal hose diameter compressed air	4 mm
Recomm. internal hose diameter vacuum	6 mm
Weight	0.195 kg
Operating temperature	0 ... 50 °C
Pressure range (operating pressure)	29.0...87.0
Suction rate (max.)	2.313 cfm
Air consumption suction	3.478 cfm
Air consumption blow off	4.267 cfm
Max. vacuum	-25.1 inHg
Product family	SCPSi

Spare Parts



SD-EINS 15x16.5 SD

Part no.10.02.02.04141

Silencer insert

External diameter D: 15 mm

Length L: 16.5 mm

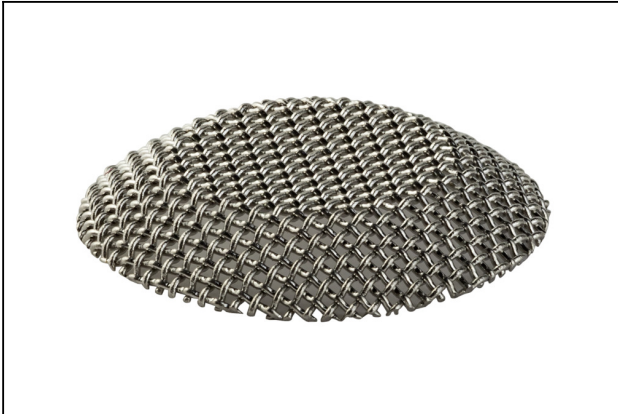
for: Silencers

Compact ejector

SCPSi 15 G02 NO M12-5

Part no.:10.02.02.04124

<https://www.schmalz.com/10.02.02.04124>



SIEB 11x2 X-5 0.415/0.22

Part no.10.02.02.04404

Screen protects the vacuum system from contamination

External diameter D: 11 mm

Length L: 2 mm

Material: Stainless steel X5 CrNi

Mesh: 0.415 mm

Wire size: 0.22 mm

Accessories



ASK B-M12-5 5000 K-5P

Part no.21.04.05.00080

Connection cable

Interface Connection 1:

Fem connect M12, 5 pol

Cable length: 5000 mm

Interface Connection 2: Cable 5

Material: PUR-Cable

Shape: Straight



ASV SMPI/SCPI 2xS-M12-4

Part no.10.02.02.03490

Connection distributor

for: Ejector SMPI/SCPI

Interface Connection cable:

Fem connect M12, 5 pol

Interface Connection cable:

2xConnect M12, 4 pol

Length L: 1050 mm

Compact ejector SCPSi 15 G02 NO M12-5

Part no.:10.02.02.04124

<https://www.schmalz.com/10.02.02.04124>



VFI CN6/4 50

Part no.10.07.01.00241

Vacuum filter with replaceable filter cartridge

Connection: Hose 6/4 with Cap nut

Filter pore size: 50 µm



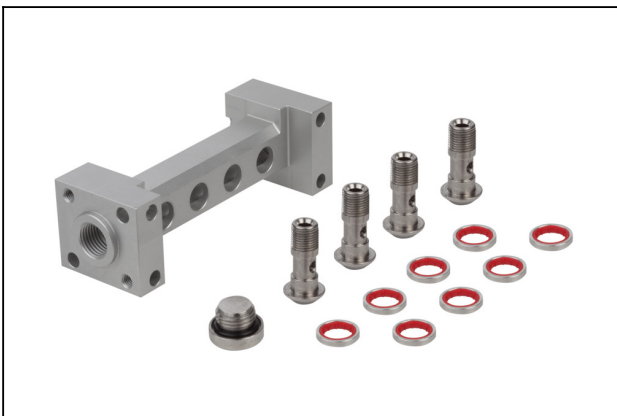
VFI CN8/6 50

Part no.10.07.01.00245

Vacuum filter with replaceable filter cartridge

Connection: Hose 8/6 with Cap nut

Filter pore size: 50 µm



GP 4 SCPS 07..15 G2

Part no.10.02.02.04338

Compressed air distributor for use as a manifold and for building ejector blocks

Number of connections: 4

Length L: 108 mm

Width B: 38 mm

Height H: 34 mm

for: Ejector SCPS 07..15 G2

Compact ejector

SCPSi 15 G02 NO M12-5

Part no.:10.02.02.04124

<https://www.schmalz.com/10.02.02.04124>



SET SCPS

Part no.10.02.02.04343

Mounting set

for: Compact ejectors SCPS



ABL-SET SCPS einstufig

Part no.10.02.02.04216

Exhaust air set

for: Compact ejectors SCPS

Size: einstufig



ASK B-M12-5 1000 S-M12-5

Part no.21.04.05.00158

Connection cable

Interface Connection 1:

Fem connect M12, 5 pol

Cable length: 1000 mm

Interface Connection 2:

Male connect M12, 5 pol

Material: PUR-Cable

Compact ejector

SCPSi 15 G02 NO M12-5

Part no.:10.02.02.04124

<https://www.schmalz.com/10.02.02.04124>



ASK B-M12-5 2000 S-M12-5

Part no.21.04.05.00211

Connection cable

Interface Connection 1:

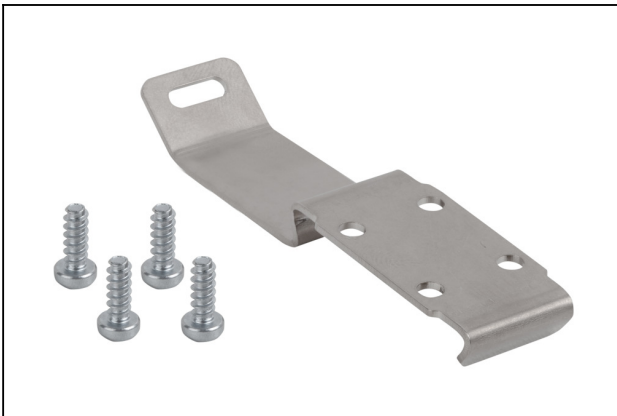
Fem connect M12, 5 pol

Cable length: 2000 mm

Interface Connection 2:

Male connect M12, 5 pol

Material: PUR-Cable



HUT-SN-KL 70x18x8

Part no.10.02.02.04149

Top-hat rail clamp comp.

Length L: 70 mm

Width B: 18 mm

Height H: 8 mm

Section type: EN 50022



VFI 6/4 50

Part no.10.07.01.00328

Vacuum filter with replaceable filter cartridge

Connection: Hose 6/4

Filter pore size: 50 µm

Compact ejector

SCPSi 15 G02 NO M12-5

Part no.:10.02.02.04124

<https://www.schmalz.com/10.02.02.04124>



VFT G1/4-IG 80

Part no.10.07.01.00119

Vacuum cup filter with transparent housing and replaceable filter

Connection: G1/4"-F

Shape: Short filter insert

Nominal flow rate: 6.6 m³/h

Filter pore size: 80 µm