

Mini compact ejector

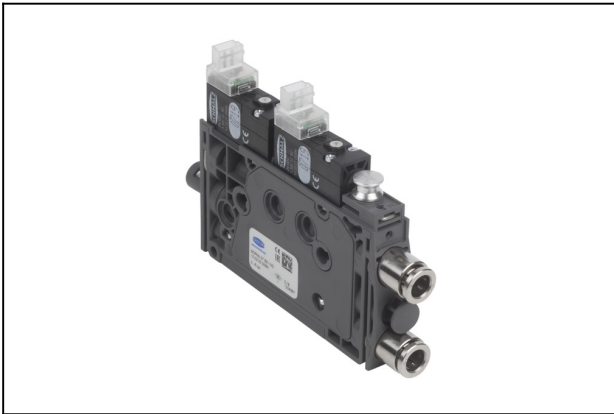
SCPMb 07 S01 NO AAE

Part no.:10.02.02.05591

<https://www.schmalz.com/10.02.02.05591>

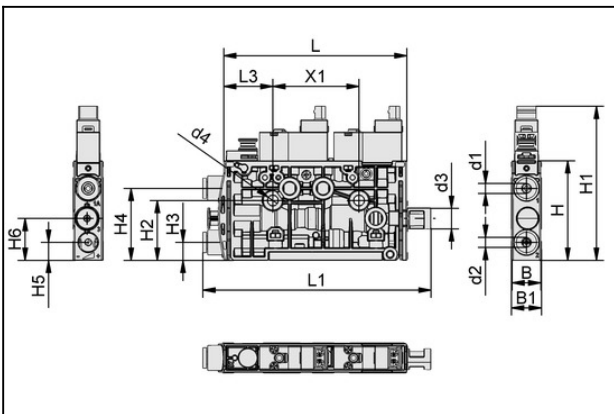
Homepage > Vacuum Technology for Automation > Vacuum Components > Vacuum Generators > Compact ejectors > Compact Ejectors SCPMb
/ SCPMc / SCPMi > SCPMb 07 S01 NO AAE

Mini-pump, compact ejector with minimum size



Nozzle size: 0,7 mm
 Connection: Hose D4(1)-D4(2)
 Suction rate (max): 15 l/min
 Air consumption (during evac.):
 22 l/min
 Vacuum (max): 870 mbar
 Control: Normally open

Design Data



Attribute	Value
B	12 mm
B1	12.5 mm
d1	4.2 mm
d2	4.2 mm
d3	9 mm
d4	4.3 mm
H	41.5 mm
H1	64.2 mm
H2	24.95 mm
H3	7.5 mm
H4	30 mm
H5	7.5 mm
H6	17.5 mm

Contact to Schmalz

J. Schmalz GmbH | Johannes-Schmalz-Straße, 72293 Glatten, Deutschland | +49 7443 2403-102 |
customercenter@schmalz.de

Mini compact ejector

SCPMb 07 S01 NO AAE

Part no.:10.02.02.05591

<https://www.schmalz.com/10.02.02.05591>



Attribute	Value
L	76.5 mm
L1	95.3 mm
L3	20.5 mm
X1	36 mm

Technical Data

Attribute	Value
Nozzle size	07
Degree of evacuation	87 %
Suction rate (max.)	15 l/min
Air consumption suction	22 l/min
Max. air consumption blow off	10 l/min
Max. vacuum	870 mbar
Control valve	NO
Pressure range (operating pressure)	3.0 ... 6.0 bar
Recomm. internal hose diameter compressed air	2 mm
Recomm. internal hose diameter vacuum	2 mm
Weight	70 g
Operating temperature	0 ... 50 °C

Spare Parts

Contact to Schmalz

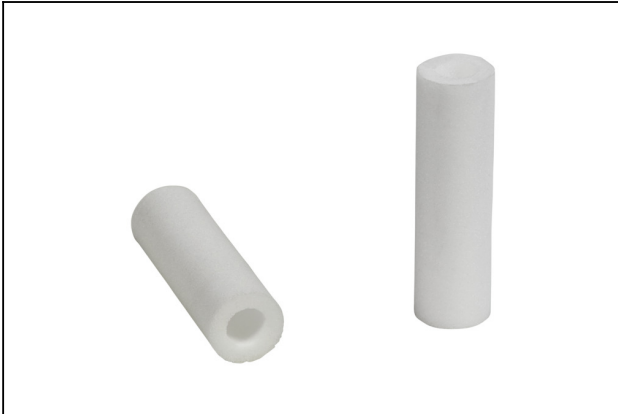
J. Schmalz GmbH | Johannes-Schmalz-Straße, 72293 Glatten, Deutschland | +49 7443 2403-102 | customercenter@schmalz.de

Mini compact ejector

SCPMb 07 S01 NO AAE

Part no.:10.02.02.05591

<https://www.schmalz.com/10.02.02.05591>



SD-EINS 6.4x21.8 SCPM

Part no.10.02.02.05806

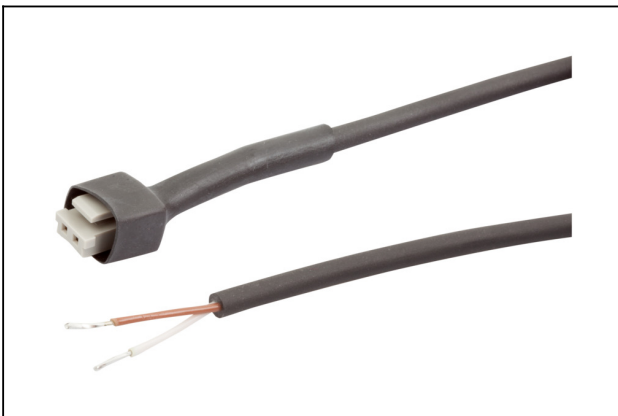
Silencer insert

External diameter D: 6.4 mm

Length L: 21.8 mm

for: Compact ejectors SCP

Accessories



ASK B-MIC10 3000 K-2P

Part no.21.04.06.00086

Connection cable

Interface Connection 1: Connect. 10mm

Cable length: 3000 mm

Interface Connection 2: Cable 2

Material: PUR-Cable



HUT-SN-KL 50x14x7 SCPMi/c/b

Part no.10.02.02.05805

Top-hat rail clamp comp.

Length L: 50 mm

Width B: 14 mm

Height H: 7 mm

for: Comp. ejectors SCPMi/c/b

Mini compact ejector

SCPMb 07 S01 NO AAE

Part no.:10.02.02.05591

<https://www.schmalz.com/10.02.02.05591>



BEF-WIN 15x50x36.1 1.5 SCPM

Part no.10.02.02.05824

Mounting bracket

Width B: 15 mm

Height H: 50 mm

Length L: 36.1 mm

Wall thickness s: 1.5 mm

for: Compact ejectors SCP



STV-GE M5-AG 4

Part no.10.08.02.00468

Push-in Fitting, straight

Thread G1: M5-M

External hose diameter: 4 mm

Material: Brass

Surface: nickel plated



STV-GE M7-AG 6

Part no.10.08.02.00469

Push-in Fitting, straight

Thread G1: M7-M

External hose diameter: 6 mm

Material: Brass

Surface: nickel plated