

482.6 mm (19") installation system

Swing frames

Swing frame, large

without trim panel, for 600 mm and 1200 mm wide enclosures

For mounting 482.6 mm (19") equipment.

Material:

– Sheet steel

Surface finish:

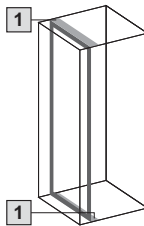
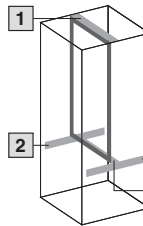
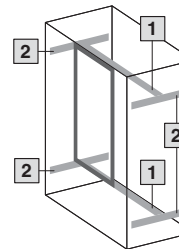
– Zinc-plated

Supply includes:

– Cam with double-bit lock insert and parts for attaching to the installation kit

Technical details:

Available on the Internet

Installation	Full installation, front/set back	Partial installation, top, front/set back	Partial installation, centre, front/set back
			

For enclosure width mm			600	1200
U	For min. enclosure height mm	Packs of	Model No.	
22	1200	1 pc(s).	2322.700	
31	1600	1 pc(s).	2331.700	
36	1800	1 pc(s).	2336.700	
40	2000	1 pc(s).	2340.700	
45	2200	1 pc(s).	2345.700	

Accessories	Page
Lock inserts, type D	2484.000 570

Also required:

1) Installation kits					
For enclosure		Hinge	Load capacity	Model No.	Packs of
TS	SE				
■	■	130°	< 1500 N ²⁾	1994.835	– 1 set(s)
■	■	130°	< 1500 N ²⁾	–	1996.835 1 set(s)
■	■	130°	< 1500 N ¹⁾	–	1996.535 1 set(s)

¹⁾ Installation only possible with the mounting plate slide rail dismantled
²⁾ Maximum load 800 N with the TS mounting plate slide rail dismantled

2) For TS, SE:
 TS punched section with mounting flange 23 x 73 mm, 2 or 4 pc(s). required

Installation in enclosure depth mm	Packs of	Model No.	Page
400	4 pc(s).	8612.140 ¹⁾	606
500	4 pc(s).	8612.550	607
600	4 pc(s).	8612.560	607
800	4 pc(s).	8612.580	607
1000	4 pc(s).	8612.500	607
1200	4 pc(s).	8612.520	607

¹⁾ TS punched section with mounting flange, 17 x 73 mm

Note:

– The swing frame stay is required to hold open the swing frame, see page 681

