

# Cable management



## Cable manager

- For system-compatible cable deflection while complying with minimal bending radii and to accommodate surplus cables and excess length. The elements may optionally be used individually or in combination for cable routing. They may be combined into semi-circular or circular elements.
- Supports use on corners and edges to allow protected cable routing around them
- Mounting clips for use above the arc hold the routed cables back within the elements. The elements are also bayable in an axial direction to allow U-based cable routing to the mounting level, or ducting of the cable bundles.

### Material:

- Plastic, UL 94-V0

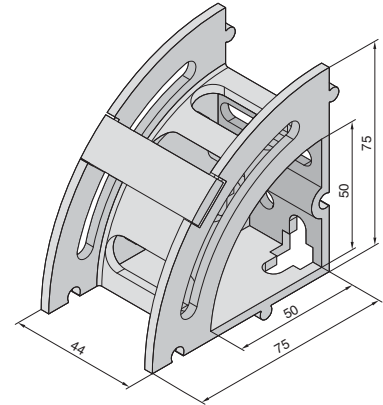
### Colour:

- RAL 9005

### Supply includes:

- Mounting clips and assembly parts

	Packs of	Model No.
Maxi kit	20 pc(s).	<b>5502.405</b>



## Cable shunting ring

For flexible, system-compatible cable routing at the side of the 482.6 mm (19") mounting angles.

### Material:

- Steel

### Surface finish:

- Zinc-plated

### Supply includes:

- Assembly parts

Dimensions mm	Packs of	Model No.
125 x 85	10 pc(s).	<b>7111.900</b>
125 x 65	10 pc(s).	<b>7111.000</b>
85 x 43	10 pc(s).	<b>7112.000</b>

## Shunting ring

To accommodate large quantities of cables. Shunting ring for side attachment to 482.6 mm (19") sections in 800 mm wide network enclosures. The ring is attached asymmetrically providing approx. 110 mm free space in front of the 482.6 mm (19") level. This allows even large quantities of cables to be effectively managed.

### Material:

- Steel

### Surface finish:

- Zinc-plated

### Supply includes:

- Assembly parts

Dimensions mm	Packs of	Model No.
330 x 90/70	4 pc(s).	<b>7220.600</b>