

# TESTINA PRENSILE

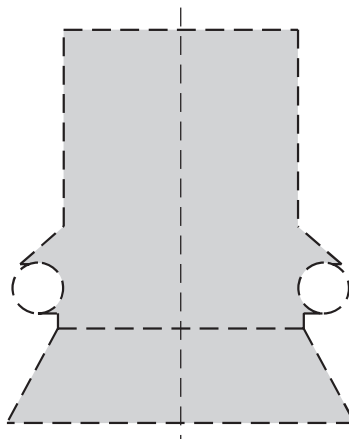
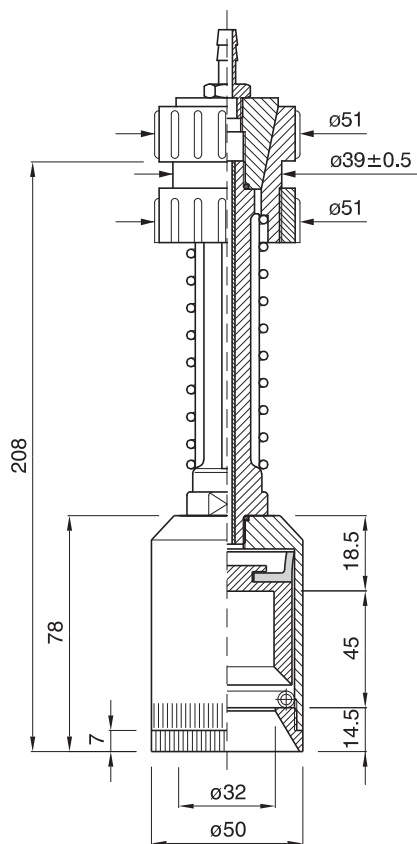
PICK-UP HEAD

TETE DE PREHENSION

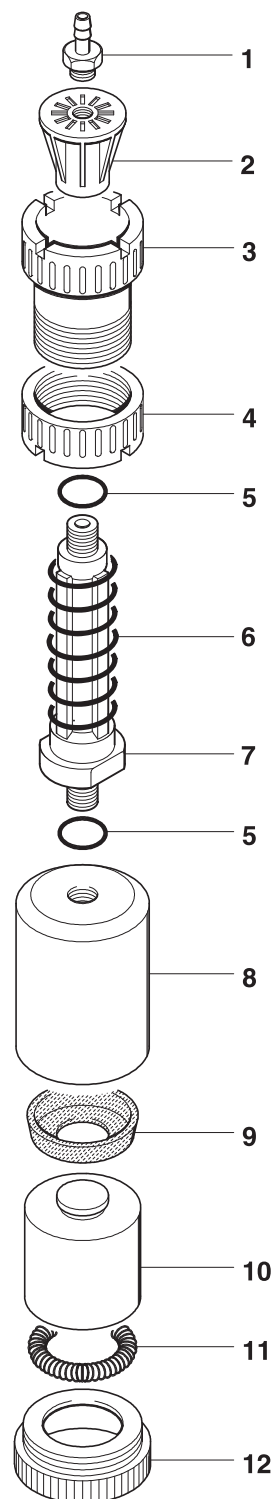
GREIFERKOPF

TULIPA

cod. 001.0012 ø 50



PROFILO INTERNO SCALA 1:1  
 INTERNAL SECTION SCALE 1:1  
 PROFIL INTERNE ECHELLE 1:1  
 INNENPROFIL MASSTAB 1:1  
 PERFIL INTERIOR ESCALA 1:1



|    | COD.     | MATERIALE | MATERIAL        | MATERIEL         | WERKSTOFF        | MATERIAL         |
|----|----------|-----------|-----------------|------------------|------------------|------------------|
| 1  | 024.0001 | OTTONE    | BRASS           | LAITON           | MESSING          | LATÓN            |
| 2  | 025.0001 | PA        | PA              | PA               | PA               | PA               |
| 3  | 026.0001 | PA        | PA              | PA               | PA               | PA               |
| 4  | 026.0011 | PA        | PA              | PA               | PA               | PA               |
| 5  | 057.0033 | GOMMA     | RUBBER          | CAOUTCHOUC       | GUMMI            | GOMA             |
| 6  | 029.0001 | AISI      | STAINLESS STEEL | ACIER INOXYDABLE | ROSTFREIER STAHL | ACERO INOXIDABLE |
| 7  | 028.0001 | PA        | PA              | PA               | PA               | PA               |
| 8  | 027.0014 | PA        | PA              | PA               | PA               | PA               |
| 9  | 041.0003 | GOMMA     | RUBBER          | CAOUTCHOUC       | GUMMI            | GOMA             |
| 10 | 031.0002 | PA        | PA              | PA               | PA               | PA               |
| 11 | 029.0005 | AISI      | STAINLESS STEEL | ACIER INOXYDABLE | ROSTFREIER STAHL | ACERO INOXIDABLE |
| 12 | 026.0038 | PA        | PA              | PA               | PA               | PA               |