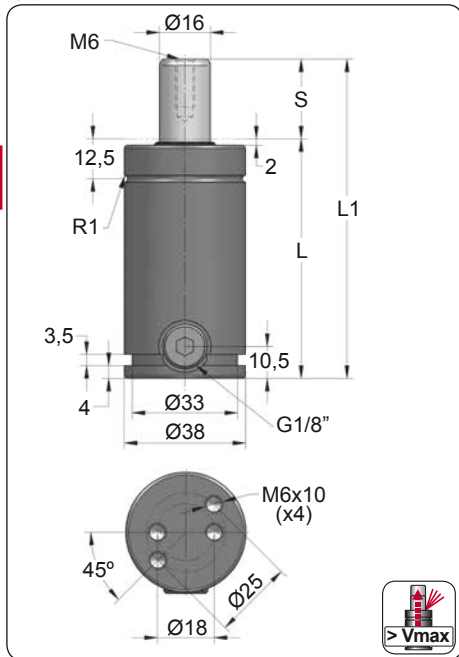
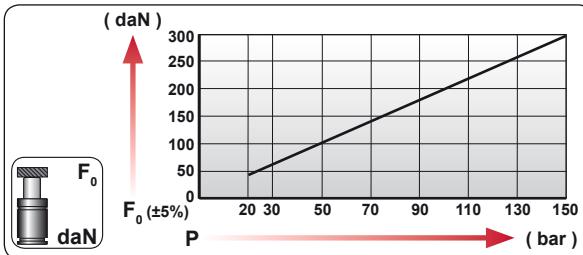


# APFC-H 250

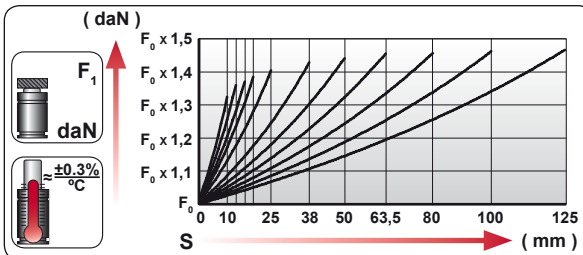
150



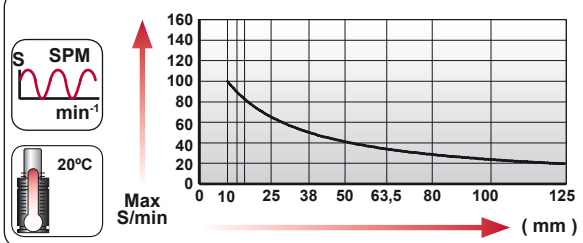
ORDER	S (mm)	L1 ±0,25 (mm)	L (mm)	Kg.
APFC-H 250 010	10	70	60	0.41
APFC-H 250 012	12.7	75.4	62.7	0.43
APFC-H 250 016	16	82	66	0.45
APFC-H 250 019	19	88	69	0.47
APFC-H 250 025	25	100	75	0.50
APFC-H 250 038	38	126	88	0.58
APFC-H 250 050	50	150	100	0.65
APFC-H 250 063	63.5	177	113.5	0.73
APFC-H 250 080	80	210	130	0.83
APFC-H 250 100	100	250	150	0.95
APFC-H 250 125	125	300	175	1.10



CODE				
		bar psi	daN	daN
-----		--- ---	---	---
APFC-H 250 050		0 0	---	---



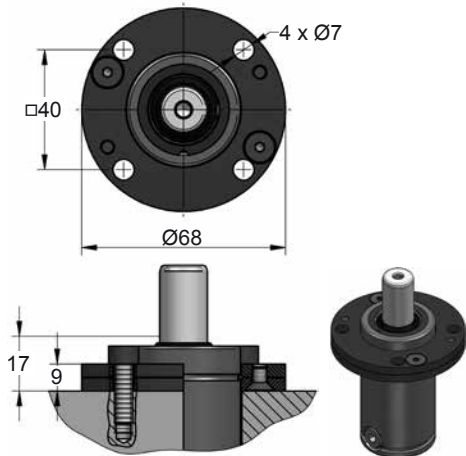
	ENG ORDER DEU BESTELLUNG FRA COMMANDE ITA ORDINE ESP PEDIDO POR PEDIDO	 daN	 mm
APFC-H 250 50		APFC-H 250 050	



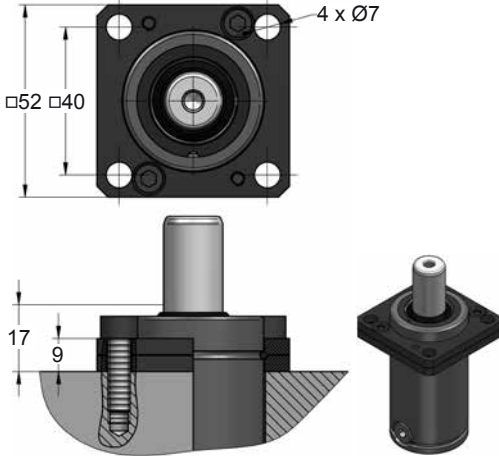
N <sub>2</sub>	S <sub>max</sub> < 90%	V <sub>max</sub> 1,6 m/s	P <sub>min</sub> (20°C)	P <sub>max</sub> (20°C)	T <sub>min</sub>	T <sub>max</sub>	600 CP-

bar psi	bar psi	°C °F	°C °F
20 290	150 2175	0 32	80 176

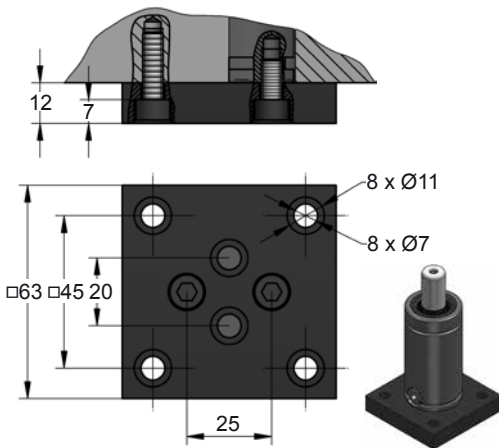
## A14-038



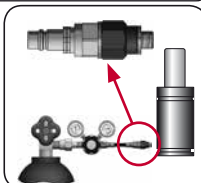
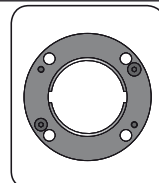
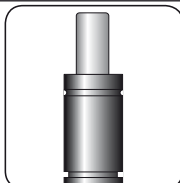
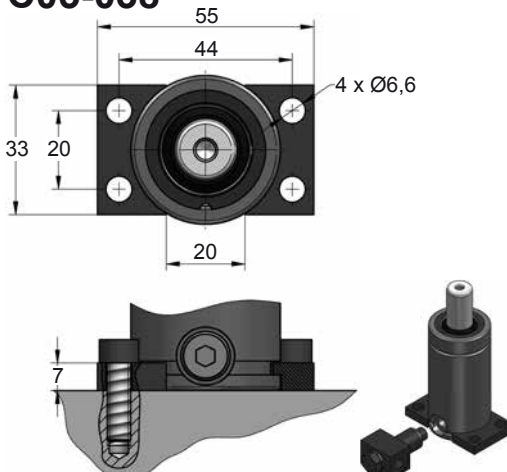
## A34-038



## B76-038



## C05-038



CODE	APFC-H 250 050	KIT S-XXXXXXX KIT C-XXXXXXX	A14-038	SKK 12R 1/8
ENG ORDER	GAS SPRING	REPAIR KIT	FLANGE	CHARGING ADAPTER
DEU BESTELLUNG	GASDRUCKFEDER	ERSATZTEILSATZ	FLANSCHEN	LADEADAPTER
FRA COMMANDE	RESSORT À GAZ	KIT DE RÉPARATION	BRIDE	RACCORD DE CHARGE
ITA ORDINE	CILINDRO AD AZOTO	KIT DI MANUTENZIONE	FLANGE	ADATTATORE DI CARICO
ESP PEDIDO	RESORTE DE GAS	KIT DE REPARACION	BRIDA	ADAPTADOR DE CARGA
POR PEDIDO	CILINDRO DE GAS	KIT DE MANUTENÇÃO	FLANGE	ADAPTADOR DE CARGA