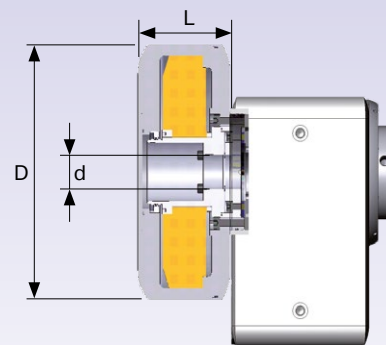


For the highest indexing accuracy
Fully encapsulated, leak-proof, protected
against impact, adjusted in a highly
precise manner



Alternative to angular position measuring system

Optional increased mechanical gear accuracy

GET.5xx-GEN only possible on EA-, TF- and T1-type rotary tables (for data, see respective rotary table on p. 26-43)

Add-on parts, assembly and measurement

Item no.	d	D	L	Weight [kg]	507	510	520	530
WMS.507-Vor2	15	130	89	1.94	1 3 4			
WMS.510-Vor2	15	130	89	2.12		1 3 4		
WMS.510-Vor7	30	220	84	5.65		2		
WMS.520-Vor2	15	130	92	2.82			1 3 4	
WMS.520-Vor7	46	220	87	6.41		2		
WMS.530-Vor2	15	130	79	4.53				1 3 4
WMS.530-Vor7	50	220	68	8.63				2
WMS.TOP2-Vor2	15	130	102		for counter bearing TOP2 1 3 4			



Heidenhain RxN 2xxx
Passage: ø 20



Heidenhain RxN 8xxx
Passage: ø 60



Magnescale RU 97



Magnescale RU 77

Angular position measuring system (encoders)

The angular position measuring system option always includes radial and axial run-out of the spindle of 0.003 mm

Item no.	Designation	System accuracy [arc sec]	Weight [kg]	Remarks
WMS.2580	RCN 2580, Endat/1Vss (replaces RCN 228)	± 2.5	1.03	1
WMS.275	RON 275, 5VTTL	± 5	0.88	Haas/Hurco 1
WMS.8390F	RCN 8390F, Fanuc (replaces RCN 727F)	± 2	2.73	ø 60 mm 2
WMS.8390M	RCN 8390M, Mitsubishi (replaces RCN 727M)	± 2		ø 60 mm 2
WMS.8380	RCN 8380, Endat/1Vss (replaces RCN 729)	± 2	2.73	ø 60 mm 2
WMS.8590F	RCN 8590F, Fanuc (replaces RCN 827F)	± 1	2.73	ø 60 mm 2
WMS.8590M	RCN 8590M, Mitsubishi (replaces RCN 827M)	± 1		ø 60 mm 2
WMS.8580	RCN 8580, Endat/1Vss (replaces RCN 829)	± 1	2.73	ø 60 mm 2
WMS.RU97A	RU97A, Siemens driveCliqu (only for Solution Line)	± 2.5		3
WMS.RU77F	RU77, Fanuc	± 2.5		4
WMS.RU77M	RU77, Mitsubishi	± 2.5		4

Option: Additional cable for retrofitting WMS
KAB.WMS-14.0-o



Cable run in flexible tubing, 14 m long, without connector

Important information

On T1-507510 with a WMS, the tilting range option for 180° is not possible

Center height increase on T-type rotary tables

The center height of T-type rotary tables is increased in accordance with the angular position measuring system (additional charge)

Item no.	Increase	1 3 4	2	2	3	2	3	2	3	3
		WMS2	WMS7	WMS2+DDF	WMS7+DDF	WMS2+SPZ2.5	WMS7+SPZ2.5	WMS2+SPZ9	WMS7+SPZ9	WMS7+SPZ15
TIP1										
SPH.TIP1-40	40mm	•		•						
SPH.TIP1-80	80mm	•		•		•				
TIP2										
SPH.TIP2-40	40mm	•	•	•	•			•		
SPH.TIP2-80	80mm	•	•	•	•	•		•	•	
TIP3										
SPH.TIP3-50	50mm	•	•	•	•					
SPH.TIP3-100	100mm	•	•	•	•	•		•	•	
TAP1										
SPH.TAP1-40	40mm	•								
TAP2										
SPH.TAP2-60	60mm	•	•	•	•					
TAP3										
SPH.TAP3-50	50mm	•	•	•	•					
TOP1										
SPH.TOP1-40	40mm	•								
SPH.TOP1-100	100mm	•		•		•				
TOP2										
SPH.TOP2-60	60mm	•	•	•	•			•		
SPH.TOP2-120	120mm	•	•	•	•	•		•	•	
TOP3										
SPH.TOP3-50	50mm	•	•	•	•			•		
SPH.TOP3-100	100mm	•	•	•	•	•		•	•	•