
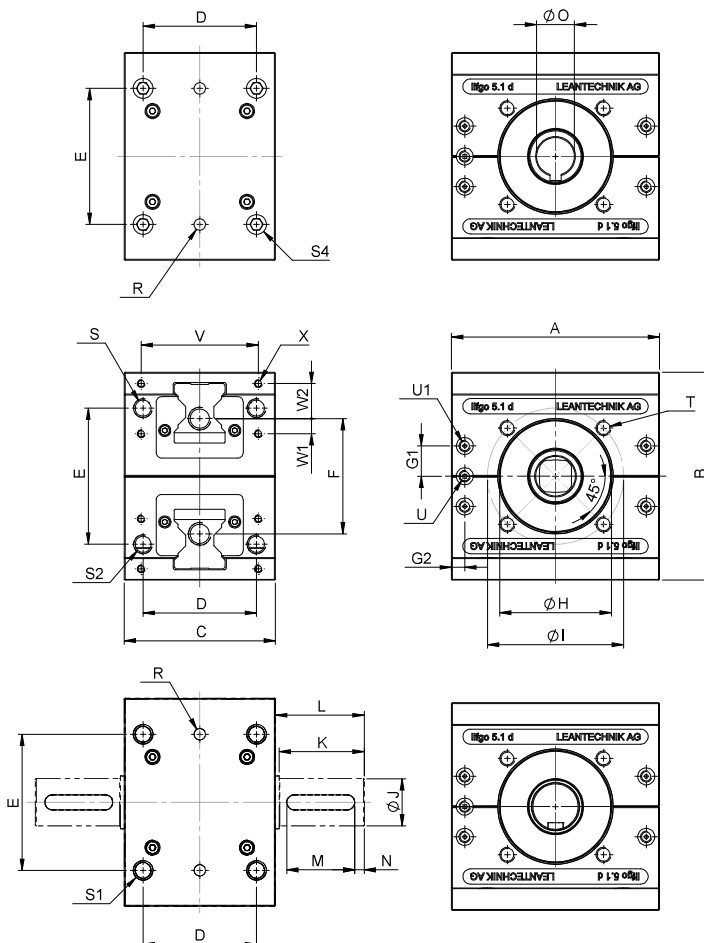


3.1.2.5 lifgo® double 5.0 – 5.3 • Dimension sheet



 Make sure that the article number refers to the correct pinion shaft version.





lifgo® double is suitable for “feeding to center” or “stroke to center”, and for gripping and closing movements.

lifgo® double	Unit	5.0	5.1	5.3	
A	mm	80	110	180	
B	mm	80	110	180	
C	mm	70	80	130	
D	mm	55	60	105	
E	mm	50	72	120	
F	mm	38	61	99	
G1	mm	7,5	16	21,5	
G2	mm	7	7	13	
Centering flange (if used, remove sealing ring)	H	mm	∅ 38,5 H7 ↓2	∅ 59 H7 ↓3	∅ 92 H7 ↓3
Key DIN 6885 P9	I	mm	∅ 48	∅ 72	∅ 110
	J	mm	∅ 14 h7	∅ 25 h7	∅ 42 h7
	K	mm	30	45	60
	L	mm	32	47	62
	M	mm	25	36	50
Key DIN 6885 P9	N	mm	2	5	5
	O	mm	∅ 10 H7	∅ 20 H7	∅ 35 H7
	R	mm	∅ 6 H7 ↓2,5	∅ 6 H7 ↓3,5	∅ 6 H7 ↓10
	S	mm	M8 ↓25 ∅ 6,8 through	M10 ↓25 ∅ 8,5 through	M12 ↓35 ∅ 10,2 through
	S1	mm	└┬∅8,5 ↓8,5 M8 ↓25	└┬∅10,5 ↓11,5 M10 ↓25	└┬∅12,5 ↓19 M12 ↓35
	S2	mm	M8 ↓11	M10 ↓14	M12 ↓24
	S4	mm	└┬∅ 8,5 ↓8,5	└┬∅10,5 ↓11,5	└┬∅12,5 ↓19
	T	mm	M6 ↓8	M8 ↓10	M10 ↓20
Lube hole	U	mm	M6 ↓5	M6 ↓5	M6 ↓5
Lube hole	U1	mm	M6 ↓5	M6 ↓5	M6 ↓5
	V	mm	58	62	100
	W1	mm	5,5	8	21,5
	W2	mm	15,5	18,5	30
	X	mm	M4 ↓8	M4 ↓8	M4 ↓8
Weight PW		kg	1,55	3,75	16,10
Weight ZA 1		kg	1,66	4,10	17,95
Weight ZA 2		kg	1,70	4,27	18,61
Weight PFN		kg	1,58	3,72	16,31

Article number	5.0	5.1	5.3
lifgo® double PW	500 065	500 066	500 067
lifgo® double ZA 1	500 069	500 070	500 071
lifgo® double ZA 2	500 073	500 074	500 075
lifgo® double PFN	500 077	500 078	500 079