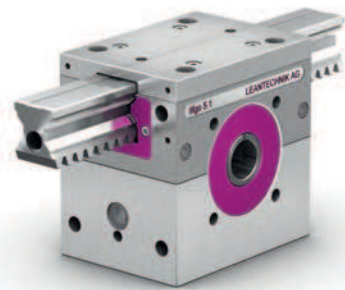
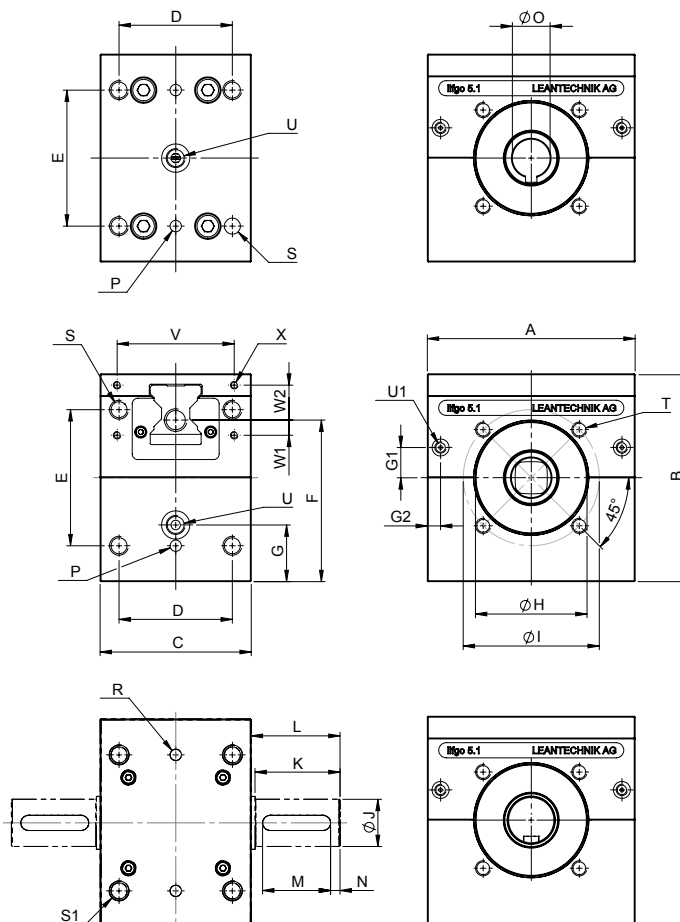


3.1.2 lifgo® gearboxes

3.1.2.1 lifgo® 5.0 – 5.3 • Dimension sheet



! Make sure that the article number refers to the correct pinion shaft version.





This standard lifgo® is compatible and can be combined with lean SL® gearboxes of the same size.

lifgo® gearbox	Unit	5.0	5.1	5.3	
A	mm	80	110	180	
B	mm	80	110	180	
C	mm	70	80	130	
D	mm	55	60	105	
E	mm	50	72	120	
F	mm	59	85,5	139,5	
G	mm	26	30	55	
G1	mm	7,5	16	21,5	
G2	mm	7	7	13	
Centering flange (if used, remove sealing ring)	H	mm	∅ 38,5 H7 ↓2	∅ 59 H7 ↓3	∅ 92 H7 ↓3
	I	mm	∅ 48	∅ 72	∅ 110
Key DIN 6885 P9	J	mm	∅ 14 h7	∅ 25 h7	∅ 42 h7
	K	mm	30	45	60
	L	mm	32	47	62
	M	mm	25	36	50
Key DIN 6885 P9	N	mm	2	5	5
	O	mm	∅ 10 H7	∅ 20 H7	∅ 35 H7
	P	mm	∅ 6 H7 ↓10	∅ 6 H7 ↓10	∅ 6 H7 ↓10
	R	mm	∅ 6 H7 ↓2,5	∅ 6 H7 ↓3,5	∅ 6 H7 ↓10
	S	mm	M8 ↓25 ∅ 6,8 through	M10 ↓25 ∅ 8,5 through	M12 ↓35 ∅ 10,2 through
	S1	mm	└┘ ∅8,5 ↓8,5 M8 ↓25 ∅ 6,8 through	└┘ ∅10,5 ↓11,5 M10 ↓25 ∅ 8,5 through	└┘ ∅12,5 ↓19 M12 ↓35 ∅ 10,2 through
Lube hole	T	mm	M6 ↓8	M8 ↓10	M10 ↓20
Lube hole	U	mm	M10 x 1 ↓10	M10 x 1 ↓10	M10 x 1 ↓10
	U1	mm	M6 ↓5	M6 ↓5	M6 ↓5
	V	mm	58	62	100
	W1	mm	5,5	8	21,5
	W2	mm	15,5	18,5	30
	X	mm	M4 ↓8	M4 ↓8	M4 ↓8
Weight PW	kg	1,30	3,20	14,30	
Weight ZA 1	kg	1,41	3,55	16,15	
Weight ZA 2	kg	1,45	3,72	16,81	
Weight PFN	kg	1,33	3,17	14,51	

Article number	5.0	5.1	5.3
lifgo® PW	500 001	500 002	500 003
lifgo® ZA 1	500 005	500 006	500 007
lifgo® ZA 2	500 009	500 010	500 011
lifgo® PFN	500 013	500 014	500 015