
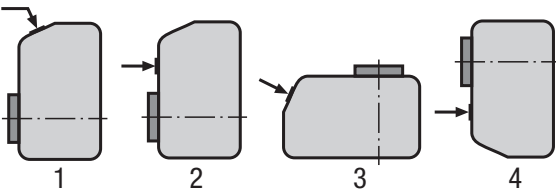
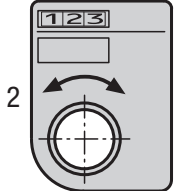



Display after one rotation, with decimal point:	Mounting position (1 - 4):
 <p>e. g. K2106.01001111 0100 = 1mm increments 1 = decimal places</p>	 <p>e. g. K2106.01001111 = mounting position 1</p>

Count direction (1 - 2):	Colour (1 - 2):
 <p>e. g. K2106.01001111 1 = clockwise (ascending values) 2 = anticlockwise (ascending values)</p>	 <p>e. g. K2106.01001111 1 = orange 2 = black</p>