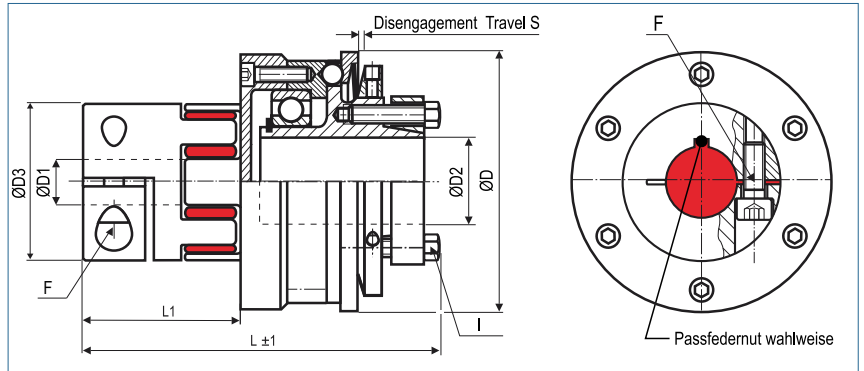


## Safety Coupling

with collet clamp and outer cone

optional  
nickel-plated version  
optional full stainless  
steel version



Order Code

**KBK/EKA - 24 - 119.5 - 16H7 - 14H7 - 20Nm - C or D - 2**

Type      Size      Length      ØD1 (H7)      ØD2 (H7)      Disengagement Torque      Torque Range

C = Single Position    D = Multi Position Engagement

| Size | Dimensions (mm) |        |                        |                        |      |                       |                       |    |     | Technical Data     |           |   |                       |              |            |                  |                 |                  |
|------|-----------------|--------|------------------------|------------------------|------|-----------------------|-----------------------|----|-----|--------------------|-----------|---|-----------------------|--------------|------------|------------------|-----------------|------------------|
|      | ØD              | L      | Ø D1                   | Ø D2                   | Ø D3 | F                     | I                     | L1 | S   | max. speed (1/min) | Mass (kg) | Moment of Inertia J (kg cm <sup>2</sup> ) | Torque 98 Sh TKN (Nm) | Torque Range |            | Misalignment     |                 |                  |
|      | Outer Ø         | Length | Bore Size (H7) min~max | Bore Size (H7) min~max |      | Screw ISO4762 TA (Nm) | Screw ISO4017 TA (Nm) |    |     |                    |           |   |                       | 1 TKN (Nm)   | 2 TKN (Nm) | radial Δ Kr (mm) | axial Δ Ka (mm) | angular Δ Kw (°) |
| -14  | 49              | 67     | 4-16                   | 5-14<br>10#            | 30   | M3<br>1.4             | M3<br>2.1             | 24 | 0.7 | 11690              | 0.24      | 0.6                                       | 12.5                  | 3 - 7        | 5 - 10     | 0.09             | +1.0<br>-0.5    | 0.9              |
| -19  | 64              | 96     | 10-22                  | 12-20                  | 40   | M6/11                 | M5                    | 41 | 1.2 | 8950               | 0.73      | 3.0                                       | 17                    | 5 - 15       | 10 - 30    | 0.06             | +1.2<br>-0.5    | 0.9              |
|      |                 | 88     |                        | 14#                    |      | M6/11                 | 5.9                   | 33 |     |                    |           |   |                       |              |            |                  |                 |                  |
| -24  | 79              | 119.5  | 15-30                  | 15-32                  | 55   | M6/11                 | M5                    | 50 | 1.2 | 7630               | 1.41      | 8.6                                       | 60                    | 12 - 35      | 20 - 60    | 0.10             | +1.4<br>-0.5    | 0.9              |
|      |                 | 109.5  |                        | 22#                    |      | M6/11                 | 8.7                   | 40 |     |                    |           |   |                       |              |            |                  |                 |                  |
| -28  | 94              | 144    | 19-38                  | 20-35                  | 65   | M8/25                 | M6                    | 59 | 2   | 6030               | 2.4       | 21  | 160                   | 50 - 130     | 65 - 150   | 0.11             | +1.5<br>-0.7    | 0.9              |
|      |                 | 130    |                        | 27#                    |      | M8/25                 | 15                    | 45 |     |                    |           |   |                       |              |            |                  |                 |                  |
| -38  | 119             | 160    | 20-45                  | 25-50                  | 80   | M8/25                 | M8                    | 67 | 2   | 4980               | 4.5       | 67  | 325                   | 60 - 200     | 150 - 300  | 0.12             | +1.8<br>-0.7    | 0.9              |
|      |                 | 146    |                        | 41#                    |      | M10/49                | 25                    | 53 |     |                    |           |   |                       |              |            |                  |                 |                  |
| -42  | 129             | 189    | 28-45                  | 35-55                  | 95   | M10                   | M8                    | 76 | 2   | 4440               | 6.8       | 120                                       | 450                   | 80 - 250     | 200 - 500  | 0.14             | +2.0<br>-1.0    | 0.9              |
|      |                 |        |                        | 45#                    |      | 70                    | 36                    |    |     |                    |           |   |                       |              |            |                  |                 |                  |



|                          |   |
|--------------------------|---|
| <b>Material</b>          | outer cone: steel<br>collet clamp: aluminium<br>spider element: polyurethane 98 Sh A (red)                                |
| <b>Hub Style</b>         | size 14 and 19: single slit**<br>size 24, 28, 38, 42: double slit<br>** short lengths are automatically with single slits |
| <b>Keyway</b>            | optional acc. DIN 6885<br>biggest bore marked with a #  |
| <b>Temperature Range</b> | -30 °C ~ 90 °C  |