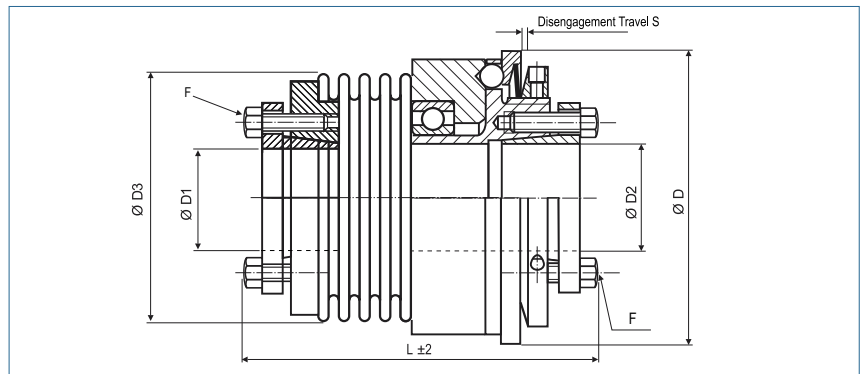


## Safety Coupling

with two inner cones

optional  
nickel-plated version  
optional full stainless  
steel version

optional  
laserwelded



Order Code

**KBK/BII - 60 - 100 - 15H7 - 18H7 - 20Nm - C or D - 2**

Type      Size      Length      ØD1 (H7)      ØD2 (H7)      Disengagement Torque      Torque Range

C = Single Position    D = Multi Position Engagement

Size	Dimensions (mm)							Technical Data										
	ØD	L	ØD1	ØD2	ØD3	F	S	max. speed (1/min)	Mass (kg)	Moment of Inertia J (kg cm²)	Torque Range		Spring Stiffness			Misalignment		
	Outer Ø	Length	Bore Size (H7) min-max	Bore Size (H7) min-max		Screw ISO4017 TA (Nm)					1 TKN (Nm)	2 TKN (Nm)	torsional x10³ CT (Nm/rad)	radial CR (N/mm)	axial CA (N/mm)	radial Δ Kr (mm)	axial Δ Ka (mm)	angular Δ Kw (°)
-10	49	68	6-14	6-14	40.5	M3	0.7	11650	0.27	0.6	3 - 7	5 - 10	8.1	120	27	0.15	0.4	1.5
		78	10#	10#		6.8							29	17	0.3	0.6	2	
-30	64	85	12-20	12-20	56	M5	1.2	9540	0.76	3.1	5 - 15	10 - 30	38	720	50	0.15	0.6	1.5
		94	14#	14#		28							225	28	0.25	1	2	
-60	79	100	15-25	15-25	66	M6	1.2	8180	1.44	8.8	12 - 35	20 - 60	75	1150	90	0.15	0.6	1.5
		110	18#	18#		50							340	50	0.25	1	2	
-80	94	115	20-35	20-35	82	M6	2	6220	2.5	22	15 - 40	30 - 80	128	1200	80	0.2	0.5	1.5
		128	27#	27#		75							400	50	0.25	0.8	2	
-150	94	115	20-35	20-35	82	M6	2	6220	2.5	22	50 - 130	65 - 150	155	2020	145	0.2	0.5	1.5
		128	27#	27#		105							595	85	0.25	0.8	2	
-200	109	125	20-40	20-40	90	M6	2	5720	2.88	34	30 - 90	80 - 200	175	2500	147	0.2	0.5	1.5
		135	32#	32#		116							460	82	0.25	0.8	2	
-300	119	135	25-50	25-45	110	M8	2	5200	5.0	75	60 - 200	150 - 300	502	6300	280	0.2	0.5	1.5
		145	41#	37#		285							1400	145	0.25	0.8	2	
-500	129	150	35-55	35-55	122	M8	2	4470	6.73	120	80 - 250	200 - 500	690	7790	100	0.2	0.5	1.5
		162	45#	45#		320							970	85	0.25	1	2	
-800	169	235	50-70	50-70	157	M16	2	3350	17.8	518	240 - 600	500 - 800	700	500	185	0.2	0.8	1.8
			58#	58#														
-1400	169	235	50-70	50-70	157	M16	2	3350	18.0	523	360 - 1000	900 - 1400	1270	700	275	0.2	0.8	1.8
			58#	58#														



<b>Material</b>	bellows – stainless steel inner cone - steel
<b>Keyway</b>	optional acc. DIN 6885 biggest bore marked with a #
<b>Temperature Range</b>	-30 °C ~ 120 °C