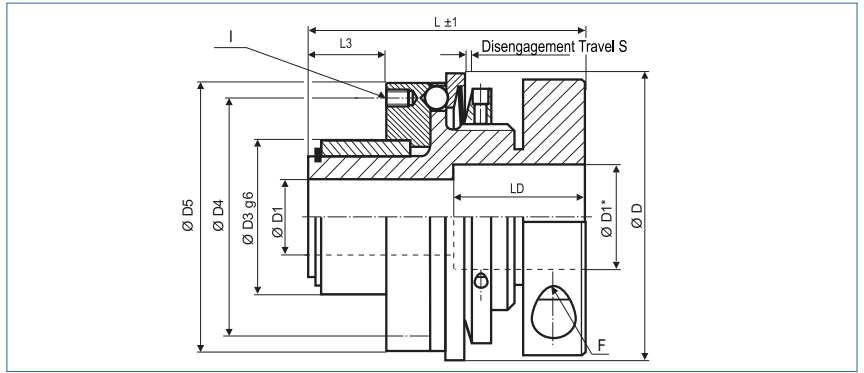


Safety Coupling

with collet clamp

optional
nickel-plated version
optional full stainless
steel version



Order Code

KBK/CK - 60 - 20H7 - 20Nm - C or D - 2

Type

Size

ØD1
(H7)

Disengagement
Torque

Torque
Range

C = Single Position D = Multi Position Engagement

Size	Dimensions (mm)										Technical Data				
	ØD	Ø D1	Ø D3	Ø D4	Ø D5	L	L3	S	I	F	Torque Range		max. speed (1/min)	Mass (kg)	Moment of Inertia J (kg cm²)
	Outer Ø	Bore Size (H7) min-max				Length			6x	Screw ISO4762 TA (Nm)	1 TKN (Nm)	2 TKN (Nm)			
-2	29	3-6	14	19	25	35	6	0.7	M2	M3 2	0.2-1.5	0.5-2	13200	0.06	0.05
-4.5	36	6-12 8#	20	26	32	36	7	0.7	M2	M4 3.5	1-3	3-6	12300	0.12	0.20
-7	49	6-16 11#	24	30	47	44	8	0.7	M3	M4 5.1	1-4	3-7	12000	0.18	0.4
-10	49	6-16 11#	24	30	47	44	8	0.7	M3	M4 5.1	3-7	5-10	12000	0.18	0.4
-30	64	10-20 14#	30	46	60	59	9	1.2	M4	M6 15	5-15	10-30	9400	0.59	2.4
-60	79	12-25 18#	36	50	75	76	16	1.2	M5	M8 36	13-35	20-65	7800	1.05	6.4
-80	94	14-35 27#	48	65	90	79	22	2	M6	M10 84	15-40	30-80	6400	2.4	21
-150	94	14-35 27#	48	65	90	79	22	2	M6	M10 84	50-130	65-150	6400	2.4	21
-200	109	22-40 32#	52	70	105	91	25	2	M6	M12 125	30-90	80-200	5500	3.0	35
-300	119	30-46 38#	58	76	115	101	31	2	M8	M12 145	60-200	150-300	5000	4.4	66
-500	129	35-50 41#	66	110	125	134	33	2	M8	M12 145	80-250	200-500	4500	6.4	113



Bore > Ø D1 and ≤ D1* only over LD
Keyway optional acc. DIN 6885
 biggest bore marked with a #
Temperature Range -30 °C ~ 120 °C

Size	2	45	7	10	30	60	80	150	200	300	500
D1*	11	X	20	20	26	31	38	38	X	57	62
LD	15	X	20	20	28	38	34	34	X	42	56