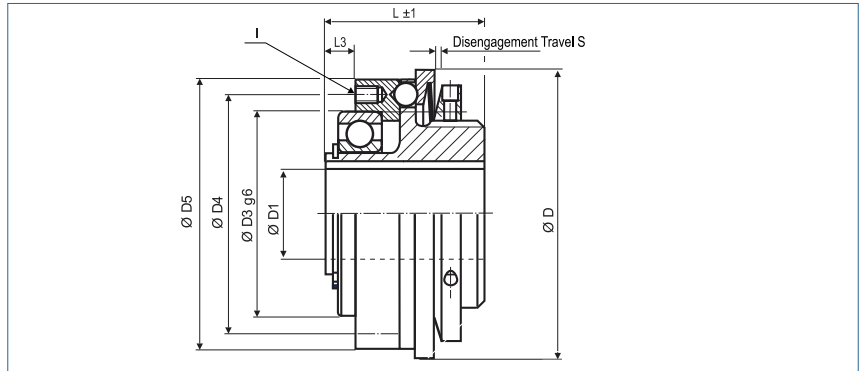


Safety Coupling

with keyway

optional
nickel-plated version
optional full stainless
steel version



Order Code

KBK/L-P - 60 - N20H7 - 20Nm - C or D - 2

Type Size ØD1 (H7) Disengagement Torque Torque Range
 C = Single Position D = Multi Position Engagement

Size	Dimensions (mm)									Technical Data				
	ØD	Ø D1	Ø D3	Ø D4	Ø D5	L	L3	S	I	Torque Range		max. speed (1/min)	Mass (kg)	Moment of Inertia J (kg cm ²)
	Outer Ø	Bore Size (H7) min~max				Length			6x	1 T _{KN} (Nm)	2 T _{KN} (Nm)			
-10	49	6-12	37	42	47	26	5	0.7	M3	3-7	5-10	12000	0.15	0.4
-30	64	10-16	47	53	60	33.5	6	1.2	M4	5-15	10-30	9400	0.45	1.9
-60	79	15-24	62	69	75	45	8	1.2	M5	13-35	20-65	7800	0.83	5.1
-80	94	19-29	68	80	90	46	10	2	M6	15-40	30-80	6400	1.4	12
-150	94	19-29	68	80	90	46	10	2	M6	50-130	65-150	6400	1.4	12
-200	109	20-38	80	90	105	52	10	2	M6	30-90	80-200	5500	1.64	19
-300	119	20-42	90	102	115	58	10	2	M8	60-200	100-300	5000	2.5	38
-500	129	20-50	100	112	125	57	10	2	M8	80-250	200-500	4500	3.8	68
-800	169	30-60	110	125	165	80	15	2	M12	260-600	500-900	3500	11	318
-1400	169	30-60	110	125	165	80	15	2	M12	450-900	800-1400	3500	11	318



Temperature Range -30 °C ~ 120 °C