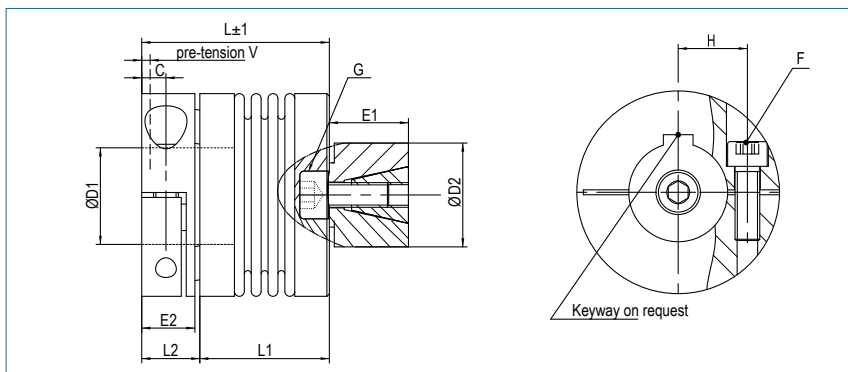


**Metal Bellows Coupling**

axial pluggable, with expanding clamps

optional  
laserwelded  
optional full stainless  
steel version



**Order Code**

**KB8P / 60 - 78 - 15 - 30 - D - (S)**

Type / Size                      Length L                      ØD1 (H7)                      ØD2 (f7)                      Plug System                      Options

| Size | Torque TKN (Nm) | Dimensions (mm) |             |                           |                 |    |      |      |    |                             | Technical Data |                            |                  |                 |                 |                |                 |                    |       |
|------|-----------------|-----------------|-------------|---------------------------|-----------------|----|------|------|----|-----------------------------|----------------|----------------------------|------------------|-----------------|-----------------|----------------|-----------------|--------------------|-------|
|      |                 | L Length        | Ø A Outer Ø | D1 Bore Size (H7) min-max | D2 (f7) min-max | H  | C    | E2   | E1 | F/G Screw (ISO4762) TA (Nm) | Mass (kg)      | Moment of Inertia J (g m²) | Spring Stiffness |                 |                 | Misalignment   |                 | max. speed (min-1) |       |
|      |                 |                 |             |                           |                 |    |      |      |    |                             |                | torsional CT 10³ (Nm/rad)  | radial CR (N/mm) | axial CA (N/mm) | radial ΔKr (mm) | axial ΔKa (mm) | angular ΔKw (°) |                    |       |
| 18   | 18              | 47.5            | 45          | 10-24                     | 13-25           | 17 | 5.5  | 12   | 20 | M5                          | 0.18           | 0.04                       | 20               | 205             | 50              | 0.2            | 0.5             | 1.5                | 12800 |
|      |                 | 54.5            |             |                           |                 |    |      |      |    | 8                           | 0.19           | 0.05                       | 15               | 82              | 36              | 0.25           | 0.5             | 2                  | 12800 |
| 30   | 30              | 59.5            | 56          | 10 32                     | 14-30           | 20 | 7.3  | 17   | 25 | M6                          | 0.33           | 0.15                       | 38               | 720             | 50              | 0.15           | 0.6             | 1.5                | 10300 |
|      |                 | 67.5            |             | #30                       |                 |    |      |      |    | 15                          | 0.34           | 0.16                       | 28               | 225             | 28              | 0.25           | 1.0             | 2                  | 10300 |
| 60   | 60              | 68              | 66          | 12-35                     | 23-38           | 23 | 8.6  | 21   | 27 | M8                          | 0.49           | 0.28                       | 75               | 1150            | 90              | 0.15           | 0.6             | 1.5                | 8700  |
|      |                 | 78              |             |                           |                 |    |      |      |    | 40                          | 0.51           | 0.31                       | 50               | 340             | 50              | 0.25           | 1.0             | 2                  | 8700  |
| 150  | 150             | 75              | 82          | 14-44                     | 26-42           | 28 | 9.8  | 21.5 | 32 | M10                         | 0.87           | 0.90                       | 155              | 2020            | 145             | 0.2            | 0.5             | 1.5                | 6900  |
|      |                 | 87              |             |                           |                 |    |      |      |    | 84                          | 0.92           | 0.95                       | 105              | 595             | 85              | 0.25           | 0.8             | 2                  | 6900  |
| 300  | 300             | 93              | 110         | 20-60                     | 38-60           | 39 | 10.8 | 27   | 45 | M12                         | 1.87           | 3.28                       | 502              | 6300            | 280             | 0.2            | 0.5             | 1.5                | 6000  |
|      |                 | 107             |             |                           |                 |    |      |      |    | 145                         | 1.91           | 3.37                       | 285              | 1400            | 145             | 0.25           | 0.8             | 2                  | 6000  |

|                          |  |
|--------------------------|--|
| <b>Material</b>          | bellows - stainless steel<br>collet clamps - aluminium<br>expanding clamps - steel |
| <b>Hub</b>               | bore tolerance: H7   |
| <b>Temperature Range</b> | -30 °C ~ 120 °C  |
| <b>Keyway</b>            | optional acc. DIN 6885<br>biggest bore marked with a #                             |

| Size | Dimensions (mm) |      |      |         |
|------|-----------------|------|------|---------|
|      | L1              | L2   | L3   | V       |
| 18   | 33.5            | 14   | 22   | 0.5-1.0 |
|      | 40.5            |      |      |         |
| 30   | 40.5            | 19   | 31   | 0.5-1.0 |
|      | 48.5            |      |      |         |
| 60   | 45              | 23   | 35   | 0.5-1.5 |
|      | 55              |      |      |         |
| 150  | 51.5            | 23.5 | 37.5 | 0.5-1.5 |
|      | 63.5            |      |      |         |
| 300  | 64              | 29   | 47   | 0.5-1.5 |
|      | 78              |      |      |         |

