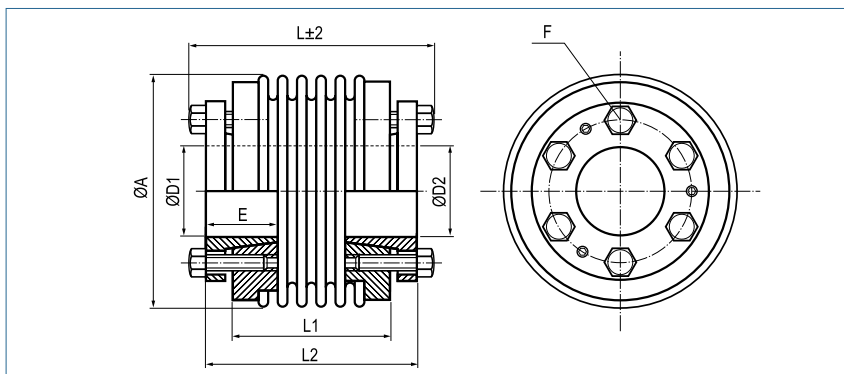


**Metal Bellows Coupling**

with inner conical hubs

optional  
laserwelded  
optional full stainless  
steel version

optional chem.  
nickel-plated



**Order Code**

**KB5 / 60 - 73 - 20 - 25 - (S)**  
 Type / Size      Length L      ØD1 (H7)      ØD2 (H7)      Options

| Size | Torque TKN (Nm) | Dimensions (mm)  |                |                                  |                 |     |     |                              | Technical Data |                            |                  |                 |                 |                |                 |     |                    |
|------|-----------------|------------------|----------------|----------------------------------|-----------------|-----|-----|------------------------------|----------------|----------------------------|------------------|-----------------|-----------------|----------------|-----------------|-----|--------------------|
|      |                 | L<br>Length (±2) | Ø A<br>Outer Ø | D1/D2<br>Bore Sizes (H7) min~max | E<br>Hub-length | L1  | L2  | F<br>Screw (ISO4017) TA (Nm) | Mass (kg)      | Moment of Inertia J (g m²) | Spring Stiffness |                 |                 | Misalignment   |                 |     | max. speed (min-1) |
|      |                 |                  |                |                                  |                 |     |     |                              |                | torsional CT 10³ (Nm/rad)  | radial CR (N/mm) | axial CA (N/mm) | radial ΔKr (mm) | axial ΔKa (mm) | angular ΔKw (°) |     |                    |
| 18   | 18              | 63               | 45             | 10-18                            | 20              | 38  | 56  | 4xM5                         | 0.36           | 0.075                      | 20               | 205             | 50              | 0.2            | 0.5             | 1.5 | 11500              |
|      |                 | 71               |                |                                  |                 | 46  | 64  | 4.5                          | 0.37           | 0.078                      | 15               | 82              | 36              | 0.25           | 0.5             | 2   |                    |
| 30   | 30              | 53               | 56             | 12-20                            | 20              | 30  | 46  | 6xM5                         | 0.4            | 0.11                       | 38               | 720             | 50              | 0.15           | 0.6             | 1.5 | 11000              |
|      |                 | 61               |                |                                  |                 | 38  | 54  | 4.5                          | 0.42           | 0.12                       | 28               | 225             | 25              | 0.25           | 1               | 2   |                    |
| 60   | 60              | 62               | 66             | 15-25                            | 25              | 36  | 54  | 6xM6                         | 0.77           | 0.32                       | 75               | 1150            | 90              | 0.15           | 0.6             | 1.5 | 9100               |
|      |                 | 73               |                |                                  |                 | 47  | 65  | 8.5                          | 0.79           | 0.34                       | 50               | 340             | 50              | 0.25           | 1               | 2   |                    |
| 80   | 80              | 78               | 82             | 20-35                            | 30              | 50  | 70  | 6xM6                         | 1.34           | 1.05                       | 128              | 1200            | 80              | 0.2            | 0.5             | 1.5 | 7000               |
|      |                 | 90               |                |                                  |                 | 62  | 82  | 10                           | 1.39           | 1.11                       | 75               | 400             | 50              | 0.25           | 0.8             | 2   |                    |
| 150  | 150             | 78               | 82             | 20-35                            | 30              | 50  | 70  | 6xM6                         | 1.36           | 1.15                       | 155              | 2020            | 145             | 0.2            | 0.5             | 1.5 | 7000               |
|      |                 | 90               |                |                                  |                 | 62  | 82  | 15                           | 1.41           | 1.21                       | 105              | 595             | 85              | 0.25           | 0.8             | 2   |                    |
| 200  | 200             | 78               | 90             | 20-40                            | 30              | 50  | 70  | 6xM6                         | 1.59           | 1.39                       | 175              | 2500            | 145             | 0.2            | 0.5             | 1.5 | 6700               |
|      |                 | 91               |                |                                  |                 | 63  | 83  | 15                           | 1.66           | 1.49                       | 120              | 460             | 82              | 0.25           | 1               | 2   |                    |
| 300  | 300             | 90               | 110            | 25-50                            | 37              | 56  | 80  | 6xM8                         | 3.26           | 4.66                       | 502              | 6300            | 280             | 0.2            | 0.5             | 1.5 | 5200               |
|      |                 | 102              |                |                                  |                 | 67  | 91  | 17                           | 3.32           | 4.81                       | 285              | 1400            | 145             | 0.25           | 1               | 2   |                    |
| 500  | 500             | 101              | 122            | 35-55                            | 40              | 66  | 90  | 6xM8                         | 3.78           | 6.11                       | 690              | 7790            | 100             | 0.2            | 0.5             | 1.5 | 4600               |
|      |                 | 112              |                |                                  |                 | 77  | 101 | 25                           | 3.87           | 6.38                       | 320              | 970             | 85              | 0.25           | 1               | 2   |                    |
| 800  | 800             | 170              | 157            | 50-70                            | 60              | 110 | 150 | 6xM16<br>45                  | 9.05           | 24.05                      | 760              | 500             | 185             | 0.2            | 0.8             | 1.8 | 3700               |
| 1400 | 1400            | 170              | 157            | 50-70                            | 60              | 110 | 150 | 6xM16<br>80                  | 9.15           | 24.2                       | 1270             | 700             | 275             | 0.2            | 0.8             | 1.8 | 3700               |
| 3000 | 3000            | 206              | 157            | 55-85                            | 60              | 150 | 190 | 6xM12<br>85                  | 9.43           | 25.7                       | 2810             | 29450           | 1300            | 0.2            | 0.8             | 1.5 | 2800               |
| 5000 | 5000            | 206              | 208            | 60-90                            | 80              | 146 | 186 | 6xM16<br>210                 | 19.9           | 96.7                       | 4810             | 4915            | 505             | 0.2            | 0.8             | 1.5 | 2800               |

|                          |                                          |
|--------------------------|------------------------------------------|
| <b>Material</b>          | bellows – stainless steel<br>hub - steel |
| <b>Hub</b>               | bore tolerance: H7                       |
| <b>Temperature Range</b> | -30 °C ~ 120 °C                          |