

A man in a dark jacket and vest stands on a rocky shore, looking across a calm lake. The water is marked with a series of concentric ripples that recede into the distance. A large, thick orange arc curves from the left side of the frame, passing behind the man and extending across the sky and water. The sky is overcast and grey.

INFINITIES1ST
plm solutions



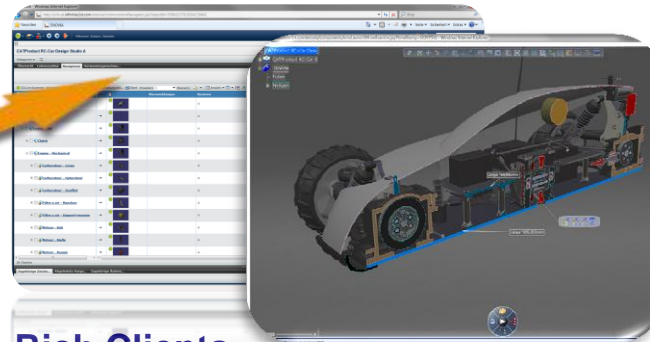
WELCOME

***ENOVIA V6 and PARTsolutions - Multi
CAx as challenge for Standardparts
sample for CATIA V5, CATIA V6
and NX***

User

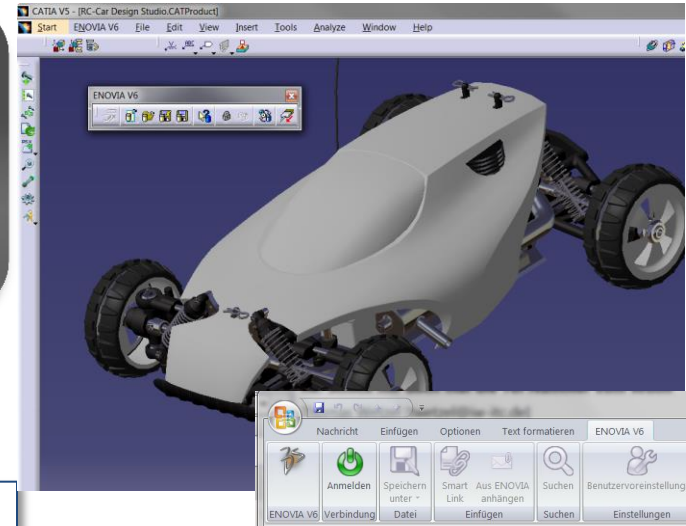


Web Browser



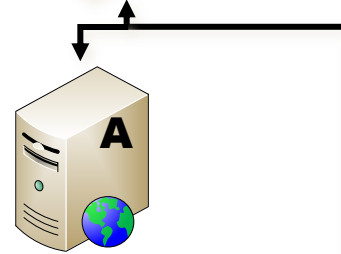
Rich Clients
Ex.: 3DLive, CATIA V5, MS Office, xCAD,...

Clients



Logic

Application Server(s) (MCS)



- Complete Web Infrastructure
- JEE Applikationsserver
- Central Database

Data

**3D Index/
Search Servers (*)**

**Full Text Index/
Search Servers (*)**



Database Server: Metadata Repository



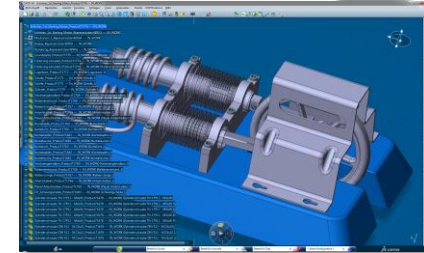
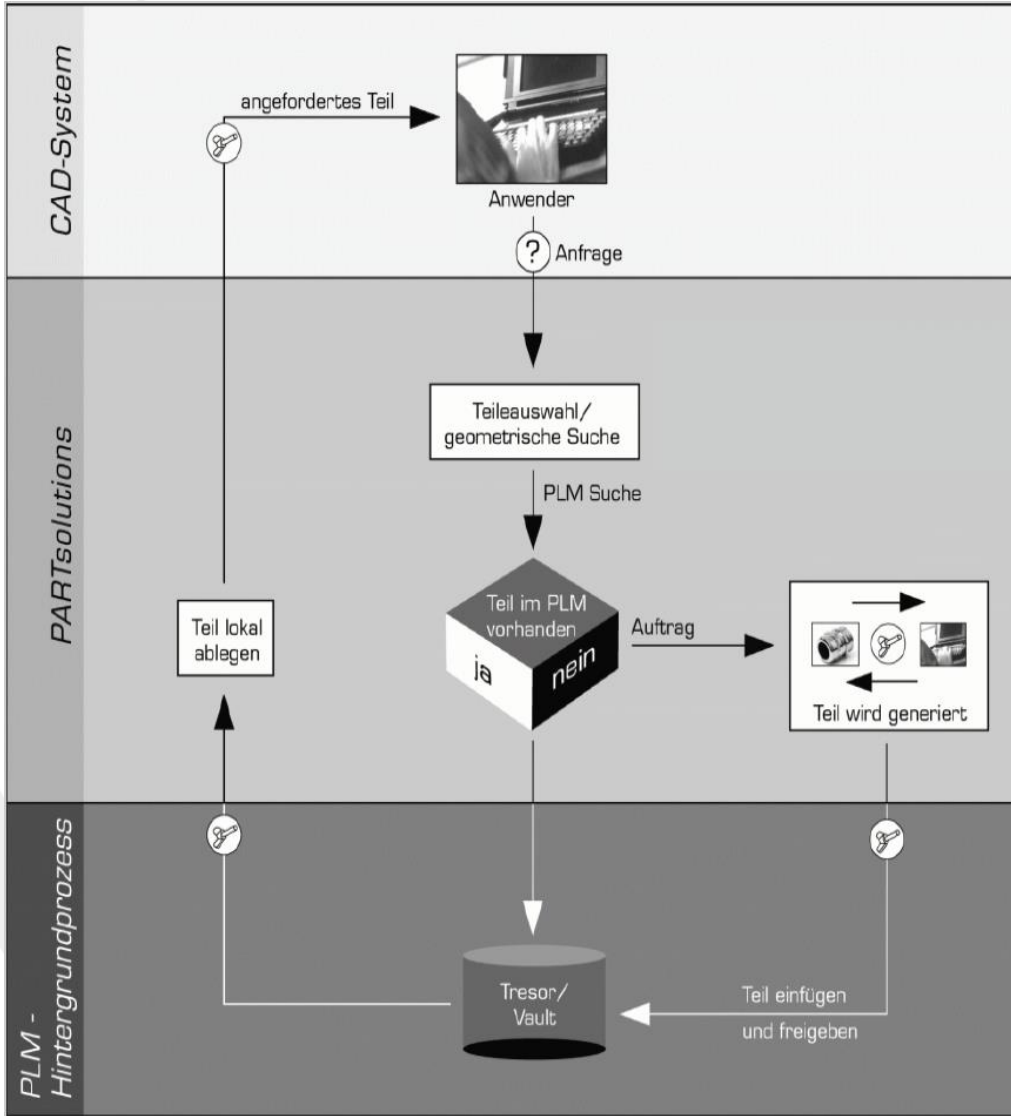
**File Server(s) (FCS)
Representation and Content
Repository**

- ∞ Data from engineering can be used directly:
 - Documents
 - Workflows
 - Bill of Material (BOM)

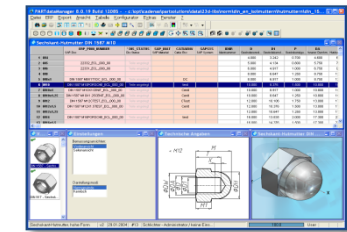
- ∞ Central ERP and PDM System:
PLM als strategy

- ∞ Different CAD Systems exists and have to be managed in an common PDM and ERP system. → **Same process Independent of CAD system**

**Make
Complexity
manageable**



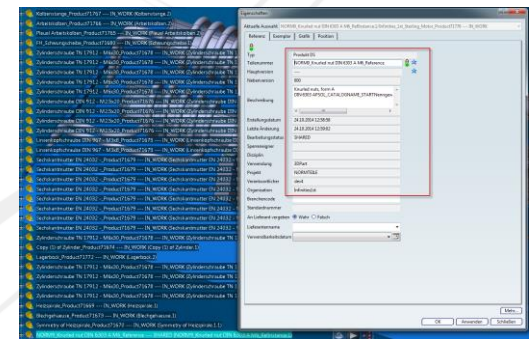
CATIA



CAD ENAB



CATIA

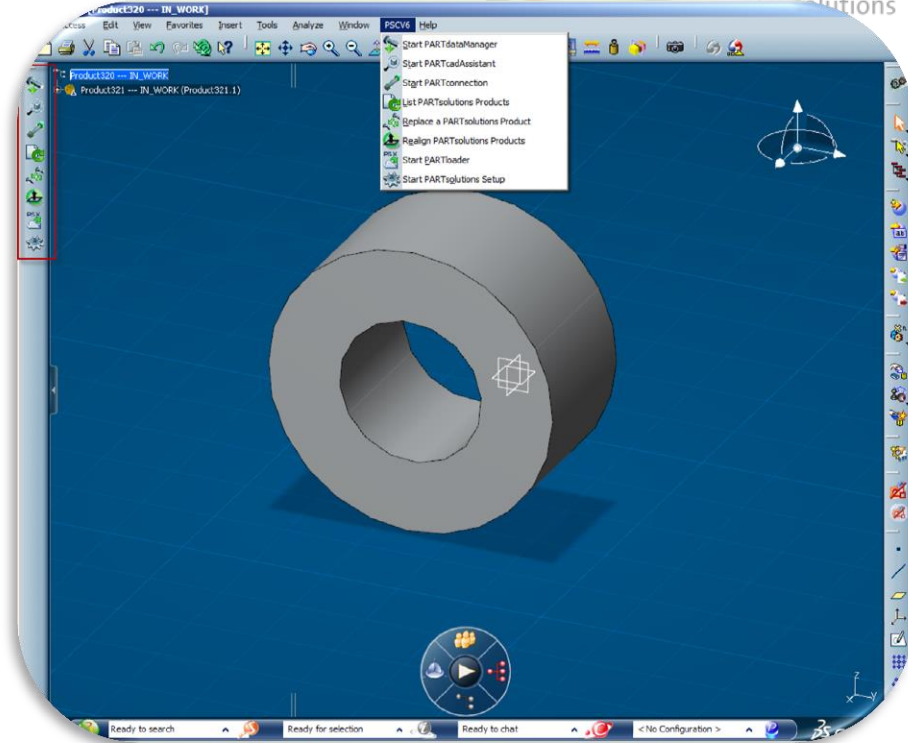


∞ Basefunctions in CAD

- Native parts
- Data integrity from manufacturer
- Kinematic Products
- Seamless CAD-Integration

∞ Benefit for the user

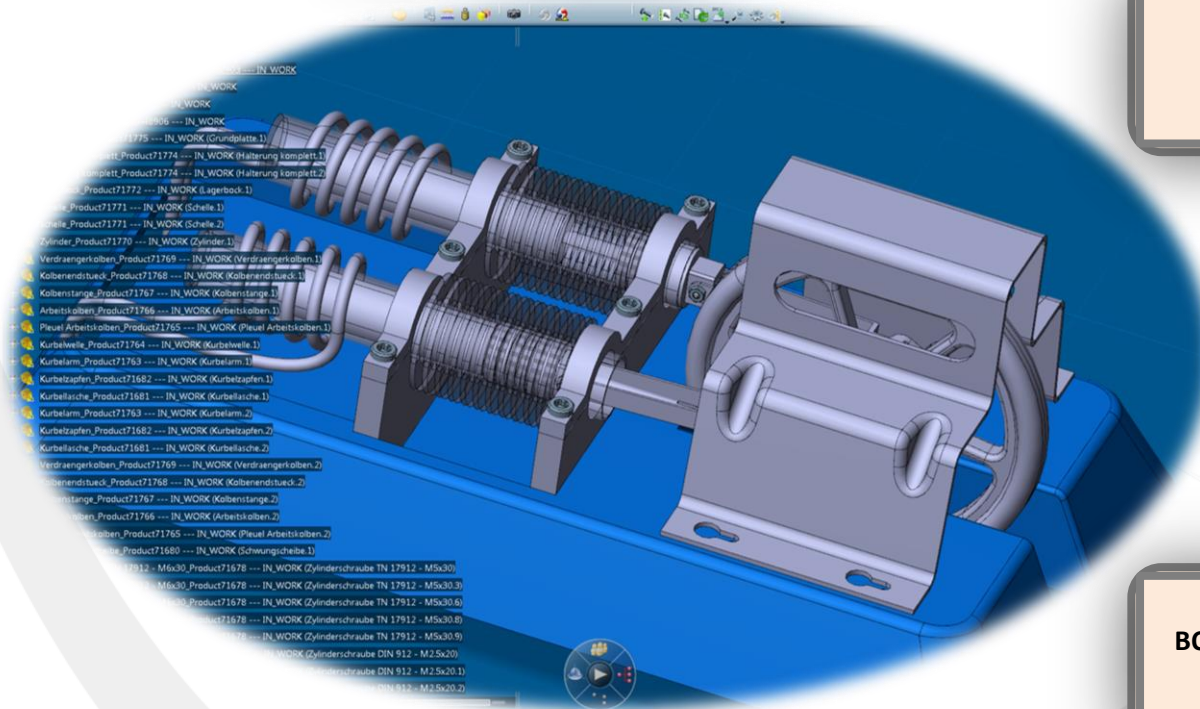
- Avoids manual creation of data
- User-friendly software handling
- Automatic fill of PDM-Properties
- Standardized naming
- Increase of PLM acceptance



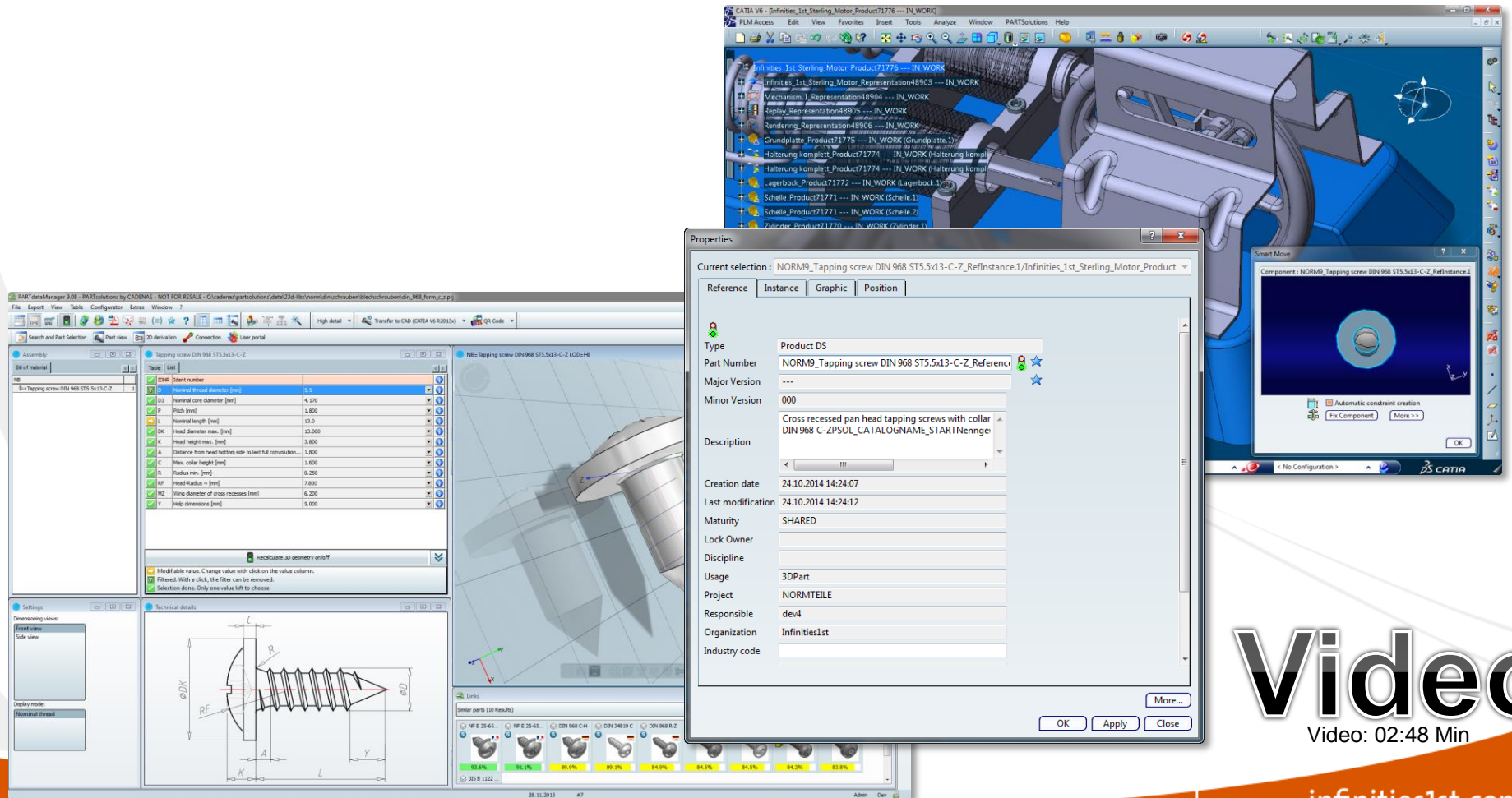
Integration of Standard Parts

Geometric Search

BOM Management for MultiCAX



- ∞ Selection of active CAD Data.
- ∞ Complete functions from CADENAS are integrated over all catalogs.
- ∞ Data is published automatically and can be used directly.



Video

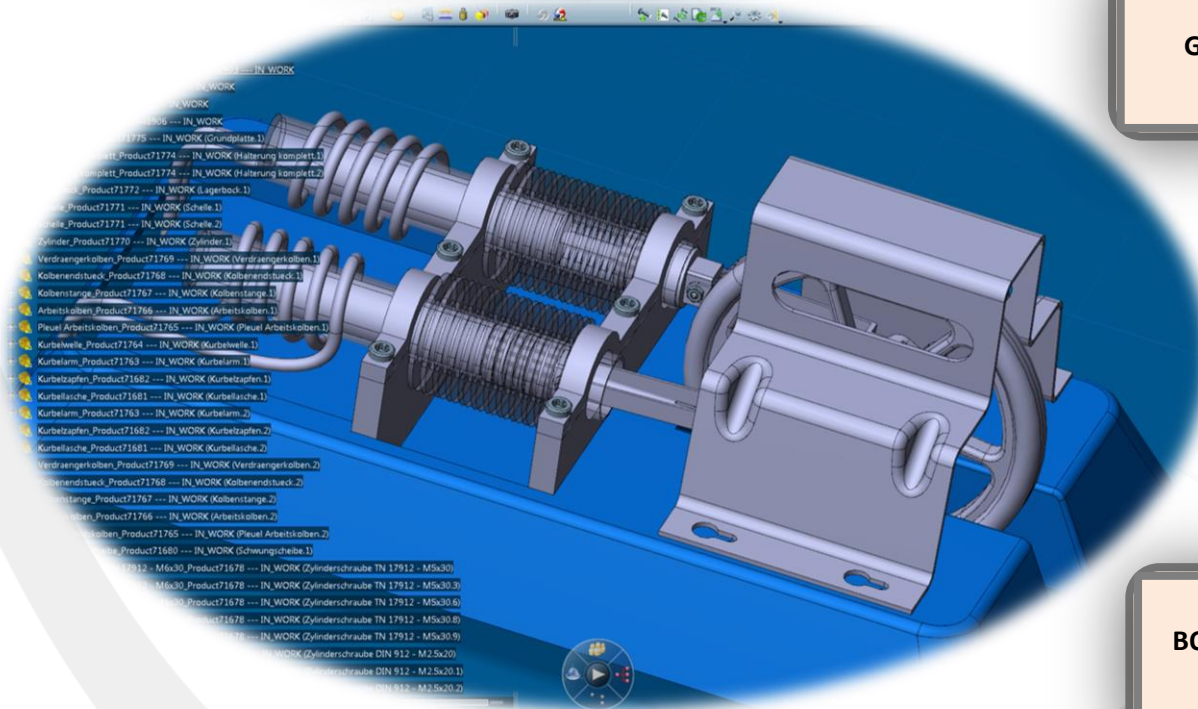
Video: 02:48 Min

Integration of Standard Parts

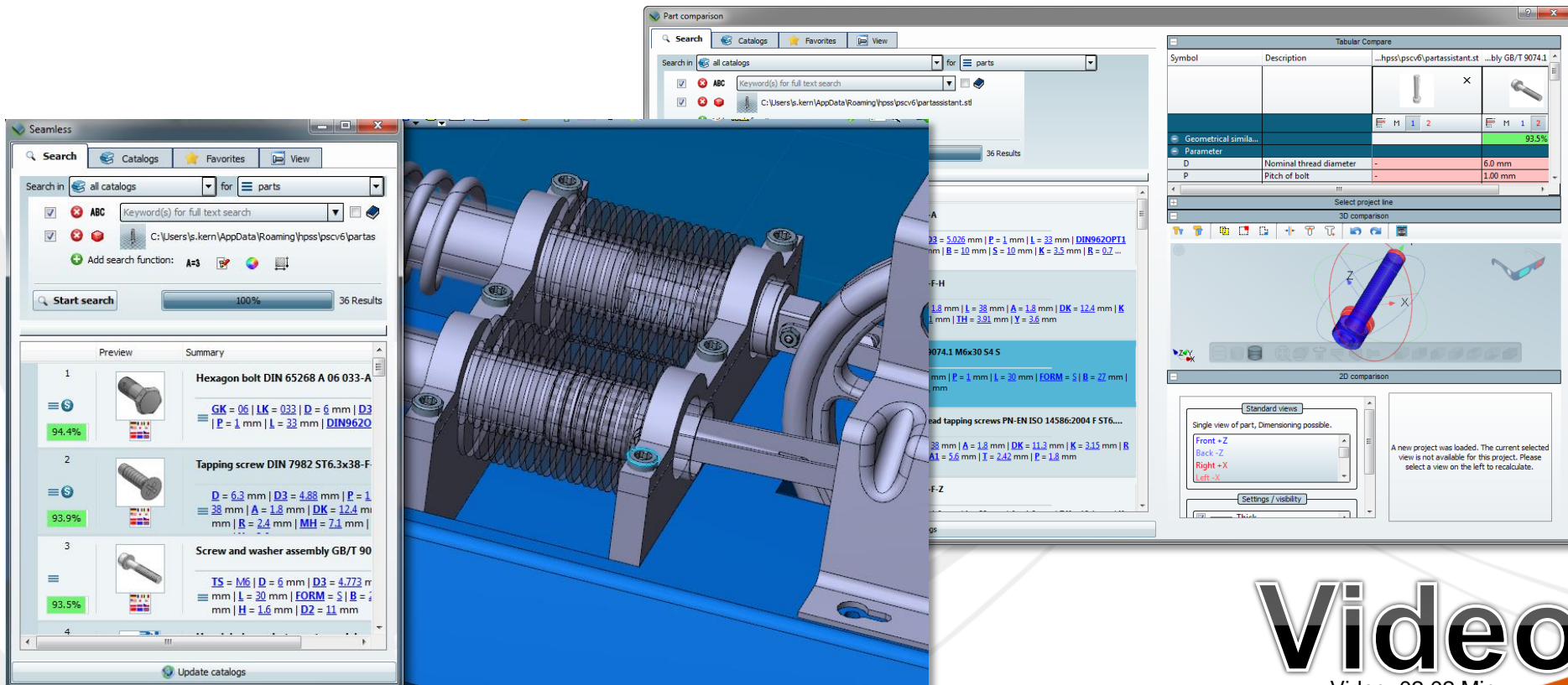


Geometric Search

BOM Management for MultiCAX



- ∞ Geometric search of CADENAS can be used over alle CAD Systems.
- ∞ Find existing PDM Standardparts within CADENAS over all systems.



Video

Video: 02:02 Min

Integration of Standard Parts

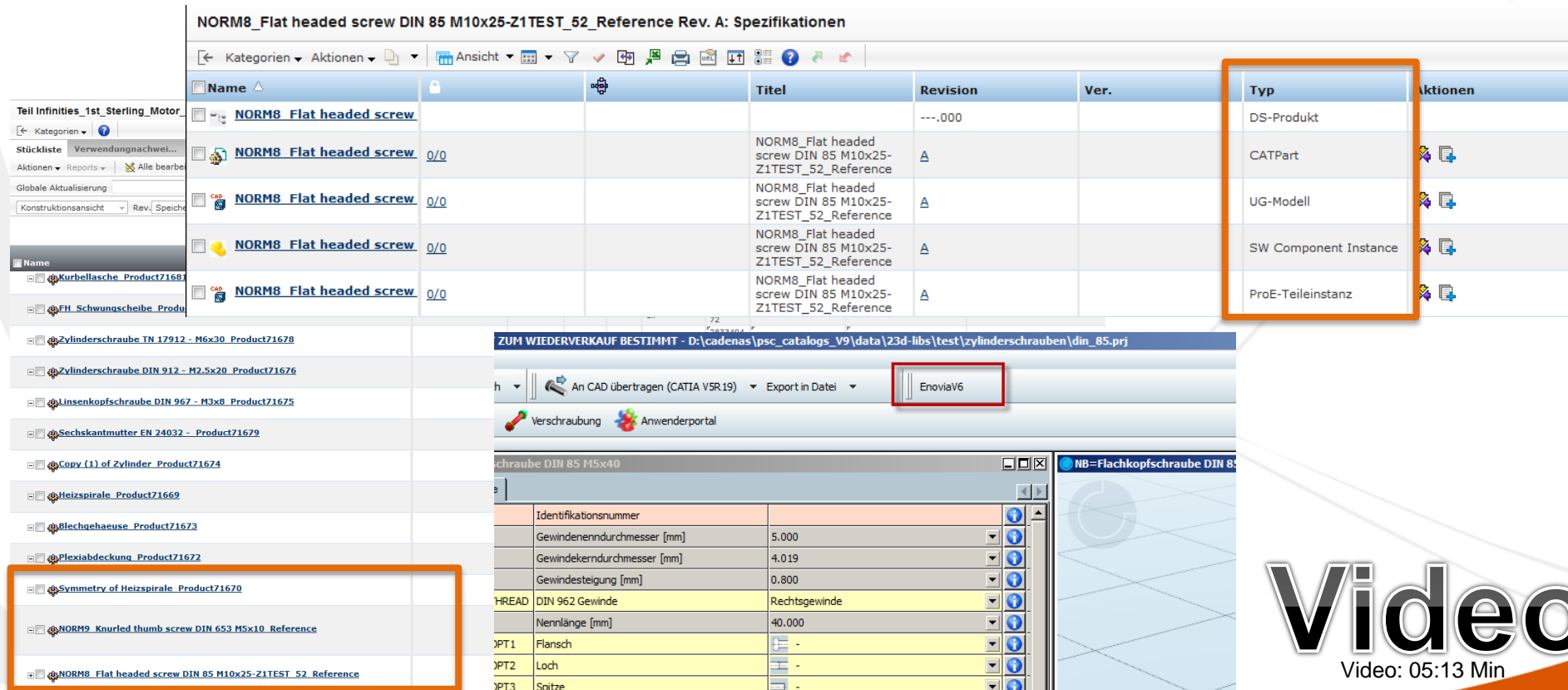


Geometric Search



BOM Management for MultiCAX

- ∞ BOM management for all integrated CAD Systems.
- ∞ Uniform Prozess → Savings in time and costs
- ∞ BOM Part centralises all CADENAS Data over CAD systems



The screenshot displays a BOM management interface. At the top, a title bar reads "NORM8_Flat headed screw DIN 85 M10x25-Z1TEST_52_Reference Rev. A: Spezifikationen". Below this is a table with columns: Name, Titel, Revision, Ver., Typ, and Aktionen. The table lists five instances of "NORM8_Flat headed screw" with various titles and revision numbers. The "Typ" column is highlighted with an orange box, showing values: DS-Produkt, CATPart, UG-Modell, SW Component Instance, and ProE-Teileinstanz. Below the table, a search bar contains "ZUM WIEDERVERKAUF BESTIHMT - D:\cadenas\psc_catalogs_V9\data\23d-libs\test\zylinderschrauben\din_85.prj". A red box highlights the "EnoviaV6" button. Below the search bar, a table shows technical specifications for a screw, including dimensions and thread type.

Name	Titel	Revision	Ver.	Typ	Aktionen
NORM8_Flat headed screw		---.000		DS-Produkt	
NORM8_Flat headed screw 0/0	NORM8_Flat headed screw DIN 85 M10x25-Z1TEST_52_Reference	A		CATPart	
NORM8_Flat headed screw 0/0	NORM8_Flat headed screw DIN 85 M10x25-Z1TEST_52_Reference	A		UG-Modell	
NORM8_Flat headed screw 0/0	NORM8_Flat headed screw DIN 85 M10x25-Z1TEST_52_Reference	A		SW Component Instance	
NORM8_Flat headed screw 0/0	NORM8_Flat headed screw DIN 85 M10x25-Z1TEST_52_Reference	A		ProE-Teileinstanz	

Identifikationsnummer		
Gewindenenddurchmesser [mm]	5.000	
Gewindekerndurchmesser [mm]	4.019	
Gewindesteigung [mm]	0.800	
THREAD	DIN 962 Gewinde	Rechtsgewinde
Nennlänge [mm]	40.000	
XPT1	Flansch	-
XPT2	Loch	-
XPT3	Soitze	-

Video
Video: 05:13 Min

Integration of Standard Parts



Geometric Search



BOM Management for MultiCAX





Vielen Dank für Ihre
Aufmerksamkeit.

Infinites1st GmbH
+49 89 / 1222809 – 0