

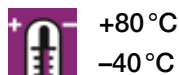
## xiros® ESTM-pillow block bearing – rigid



Made of xirodur® B180  
and igumid G

PA cage

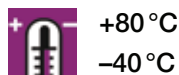
glass balls



Made of xirodur® B180  
and igumid G

PA cage

stainless steel balls



xiros® pillow block bearings with glass or stainless steel balls are a combination of xiros® polymer ball bearings and igubal® housings.

- Low weight
- Totally corrosion-resistant
- Lubrication- and maintenance-free
- Washable and non-magnetic
- Service life prediction on request
- Compact design
- Electrically insulating



Order key

## ESTM-BB1-F06-B180-ES



### Ball material

ES = stainless steel

GL = glass

### Temperature resistance

xirodur® B180 = up to +80 °C

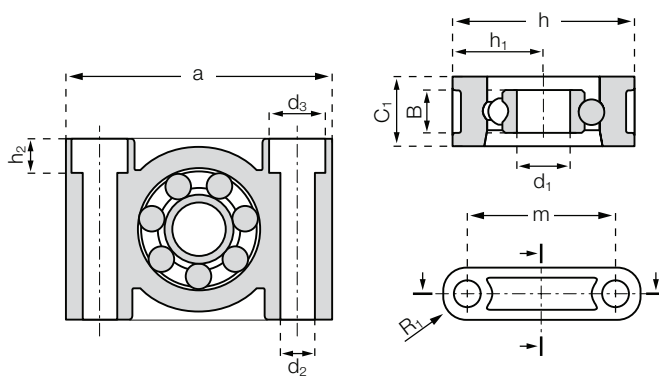
xirodur® A500 = up to +120 °C

### Inner-Ø

Rigid

Ball bearing, single-row

Pillow block bearing



## Dimensions [mm]

Part number*	Inner-Ø	Bore-Ø	d3	h	h1	h2	a	m	C1	B	R1
	d1	d2									
ESTM-BB1-F06-B180-ES*	6	5.5	–	22	11	–	36	26	10	6	5.0
ESTM-BB1-F10-B180-ES*	10	6.6	10.6	34	17	6.4	50	37	13	8	6.5
ESTM-BB1-F20-B180-ES*	20	9.0	14.0	48	24	8.06	72	54	18	12	9.0
ESTM-BB1-F06-B180-GL*	6	5.5	–	22	11	–	36	26	10	6	5.0
ESTM-BB1-F10-B180-GL*	10	6.6	10.6	34	17	6.4	50	37	13	8	6.5
ESTM-BB1-F20-B180-GL*	20	9.0	14.0	48	24	8.06	72	54	18	12	9.0

## Technical Data

Part number*	Max. static bearing load	Static bearing load	Dynamic bearing load	Max. speed	Weight
	axial [N]	[N]	[N]	[rpm]	[g]
ESTM-BB1-F06-B180-ES*	95	50	70	2,600	7.7
ESTM-BB1-F10-B180-ES*	285	85	119	1,900	20.2
ESTM-BB1-F20-B180-ES*	400	210	294	1,150	54.1
ESTM-BB1-F06-B180-GL*	95	50	70	2,600	6.7
ESTM-BB1-F10-B180-GL*	285	85	119	1,900	18.2
ESTM-BB1-F20-B180-GL*	400	210	294	1,150	47.7

\* Temperatures up to +120 °C: ESTM-BB1-...-A500-... on request



delivery from stock  
time



prices price list online

[www.igus.eu/eu/ESTM-BB1-F](http://www.igus.eu/eu/ESTM-BB1-F)