

xiros® Flange Bearing | Product Range

2-hole flange bearing



Made of xirodur® B180, RN56
and igumid G

PA cage

glass/stainless steel balls



+80 °C

-40 °C



Order key

EFOM-BB1-P08-B180-ES



Ball material

ES = stainless steel

GL = glass

Temperature resistance

xirodur® B180 = up to +80°C

xirodur® A500 = up to +120°C

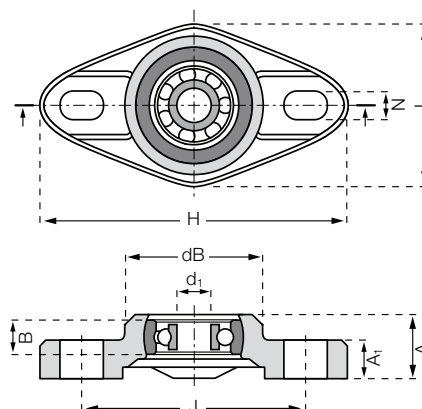
Inner-Ø

Pivoting

Ball bearing, single-row

2-holes flange bearing

In comparison to the four-hole flange bearing, the 2-hole design offers another possibility of adjustment due to the elongated holes. Alignment errors are compensated by the pivoting ball so that a tedious precise alignment of the bearings is usually not necessary.



Dimensions [mm]

Part number*	Inner-Ø d1	dB	H	L	J	A1	Ag	B	N	Max. pivoting angle
EFOM-BB1-P08-B180-ES*	8	32.5	72.6	38	53	10	15.5	8	6.4x10.1	±5°
EFOM-BB1-P10-B180-ES*	10	40.0	89.0	47	65	11	18.8	10	8.4x12.5	±5°
EFOM-BB1-P12-B180-ES*	12	48.5	101.0	58.5	75	14	23.5	12	8.4x12.5	±5°
EFOM-BB1-P08-B180-GL*	8	32.5	72.6	38	53	10	15.5	8	6.4x10.1	±5°
EFOM-BB1-P10-B180-GL*	10	40.0	89.0	47	65	11	18.8	10	8.4x12.5	±5°
EFOM-BB1-P12-B180-GL*	12	48.5	101.0	58.5	75	14	23.5	12	8.4x12.5	±5°

Technical Data

Part number*	Max. static bearing load axial [N]	Static bearing load [N]	Dynamic bearing load [N]	Max. speed [rpm]	Weight [g]
EFOM-BB1-P08-B180-ES*	165	60	84	2,200	19.5
EFOM-BB1-P10-B180-ES*	285	85	119	1,900	36.3
EFOM-BB1-P12-B180-ES*	315	105	147	1,750	61.7
EFOM-BB1-P08-B180-GL*	165	60	84	2,200	18.1
EFOM-BB1-P10-B180-GL*	285	85	119	1,900	33.6
EFOM-BB1-P12-B180-GL*	315	105	147	1,750	59.4

* Temperatures up to +120°C: EFOM-BB1-...-A500-... on request



delivery from stock
time



prices price list online

www.igus.eu/eu/EFOM-BB1